

SOLID BAKELITE LOBED KNOB WITH THREADED STUD

Materials:

Phenolic resin.
Resistant to oils and greases.
Resistant to high temperatures.

Surface finish:

Glossy.

Colour:

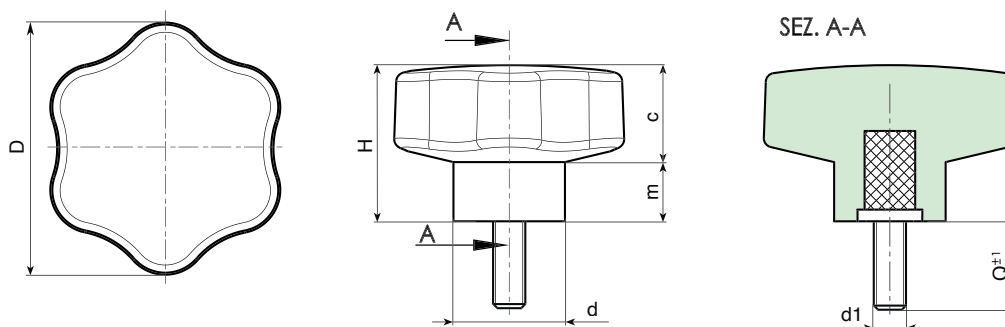
Black (RAL 9011).

Inserts:

Galvanised steel threaded stud (thread tolerance 6g)

Special requests:

- None.



Code	art.	D	d	H	m	c	LM	d1 _{6g}	Q
F20230.0002	F20230.BM05X2001	30	30	25	11	14	60	M5	20
F20230.0003	F20230.BM05X3001	30	30	25	11	14	60	M5	30
F20230.0004	F20230.BM05X4001	30	30	25	11	14	60	M5	40
F20230.0005	F20230.BM05X5001	30	30	25	11	14	60	M5	50
F20230.0006	F20230.BM05X6001	30	30	25	11	14	60	M5	60
F20240.0002	F20240.BM06X2001	40	40	30	13	17	60	M6	20
F20240.0003	F20240.BM06X3001	40	40	30	13	17	60	M6	30
F20240.0004	F20240.BM06X4001	40	40	30	13	17	60	M6	40
F20240.0005	F20240.BM06X5001	40	40	30	13	17	60	M6	50
F20240.0006	F20240.BM06X6001	40	40	30	13	17	60	M6	60
F20240.0008	F20240.BM08X2001	40	40	30	13	17	60	M8	20
F20240.0009	F20240.BM08X3001	40	40	30	13	17	60	M8	30
F20240.0010	F20240.BM08X4001	40	40	30	13	17	60	M8	40
F20240.0011	F20240.BM08X5001	40	40	30	13	17	60	M8	50
F20240.0012	F20240.BM08X6001	40	40	30	13	17	60	M8	60
F20250.0008	F20250.BM08X2001	50	50	33	13	20	60	M8	20
F20250.0009	F20250.BM08X3001	50	50	33	13	20	60	M8	30
F20250.0010	F20250.BM08X4001	50	50	33	13	20	60	M8	40
F20250.0011	F20250.BM08X5001	50	50	33	13	20	60	M8	50
F20250.0012	F20250.BM08X6001	50	50	33	13	20	60	M8	60
F20250.0013	F20250.BM10X2001	50	50	33	13	20	60	M10	20
F20250.0014	F20250.BM10X3001	50	50	33	13	20	60	M10	30
F20250.0015	F20250.BM10X4001	50	50	33	13	20	60	M10	40
F20250.0016	F20250.BM10X5001	50	50	33	13	20	60	M10	50
F20250.0017	F20250.BM10X6001	50	50	33	13	20	60	M10	60
F20260.0008	F20260.BM10X2001	60	60	37	15	22	60	M10	20
F20260.0009	F20260.BM10X3001	60	60	37	15	22	60	M10	30
F20260.0010	F20260.BM10X4001	60	60	37	15	22	60	M10	40
F20260.0011	F20260.BM10X5001	60	60	37	15	22	60	M10	50
F20260.0012	F20260.BM10X6001	60	60	37	15	22	60	M10	60
F20260.0014	F20260.BM12X2001	60	60	37	15	22	60	M12	20
F20260.0015	F20260.BM12X3001	60	60	37	15	22	60	M12	30
F20260.0016	F20260.BM12X4001	60	60	37	15	22	60	M12	40
F20260.0017	F20260.BM12X5001	60	60	37	15	22	60	M12	50
F20260.0018	F20260.BM12X6001	60	60	37	15	22	60	M12	60

LM = maximum mouldable length.