

F200

UPDATE

+170°
-20°

PF

UL94
HB

RoHS
COMPLIANT

SOLID BAKELITE LOBED KNOB WITH FEMALE THREADED INSERT

Materials:

Phenolic resin.
Resistant to oils and greases.
Resistant to high temperatures.

Surface finish:

Glossy.

Colour:

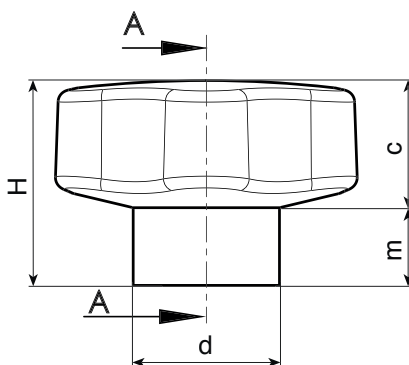
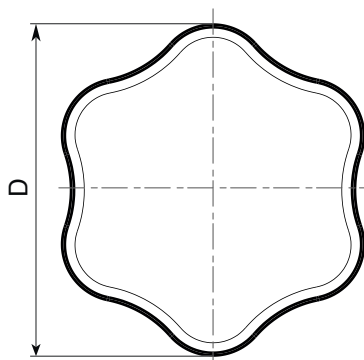
Black (RAL 9011).

Inserts:

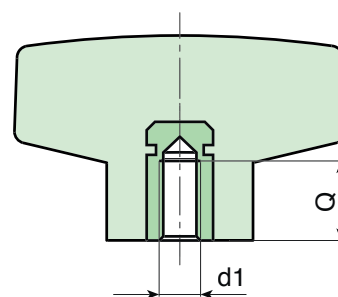
Brass insert with female threaded hole (thread tolerance 6H).

Special requests:

- None.



SEZ. A-A



Code	art.	D	d	H	m	c	d1 ^{6H}	Q	
F20025.0001	F20025.BM0401	25	15	20	9	11	M4	7,5	0
F20030.0001	F20030.BM0501	30	17	25	11	14	M5	10	0
F20040.0002	F20040.BM0601	40	21	30	13	17	M6	10	0
F20040.0003	F20040.BM0801	40	21	30	13	17	M8	13,5	0
F20050.0002	F20050.BM0801	50	23	33	13	20	M8	15	0
F20050.0003	F20050.BM1001	50	23	33	13	20	M10	15	0
F20060.0003	F20060.BM1001	60	28	37	15	22	M10	15	0
F20060.0004	F20060.BM1201	60	28	37	15	22	M12	18	0