

# F189CAT



PA6  
+G.F.

UL94  
HB

RoHS  
COMPLIANT

## SOLID STAR HANDWHEEL WITH RETAINING CHAIN AND THREADED STUD

### Materials:

Reinforced polyamide.  
Resistant to oils and greases.

### Surface finish:

Satin.

### Colour:

Black (RAL 9011).

### Inserts:

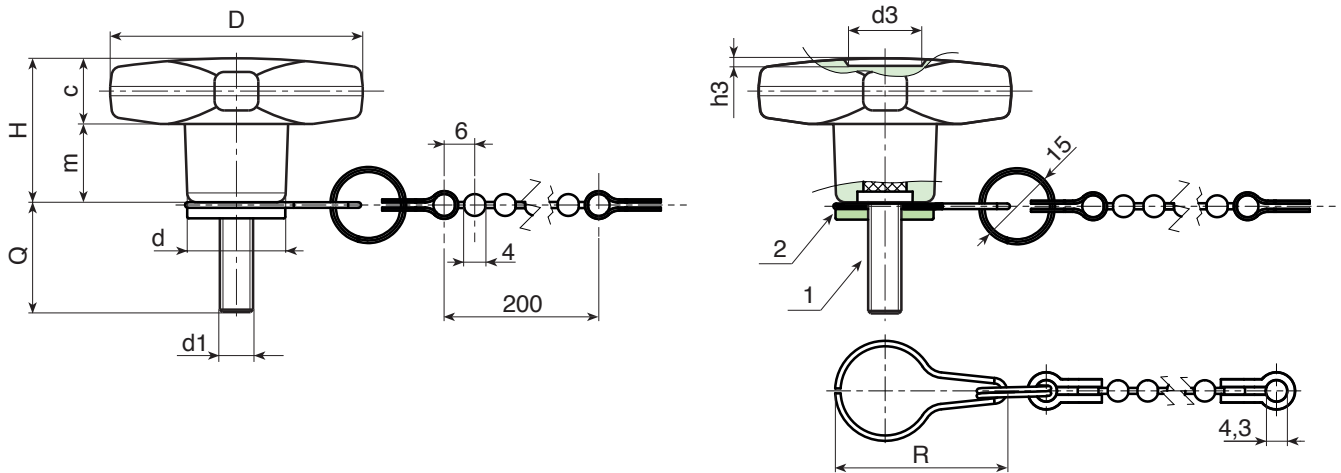
- (1) Galvanised steel threaded stud (thread tolerance 6g).
- (2) Galvanised steel turned ring nut, secured with threadlocker and with groove for retaining hook.

### Chain:

Black acetal (POM) chain. Harmonic stainless steel (Aisi 302) joints, retaining ring and hub hook.

### Special Requests:

- Upon request and for special quantities inserts can be supplied with customised lengths.
- Upon request the chain can be supplied with customised lengths.
- Upon request and for special quantities inserts can be supplied in different materials.
- Upon request and for special quantities available in the colours indicated in the chart (attention: reduced range [page]).

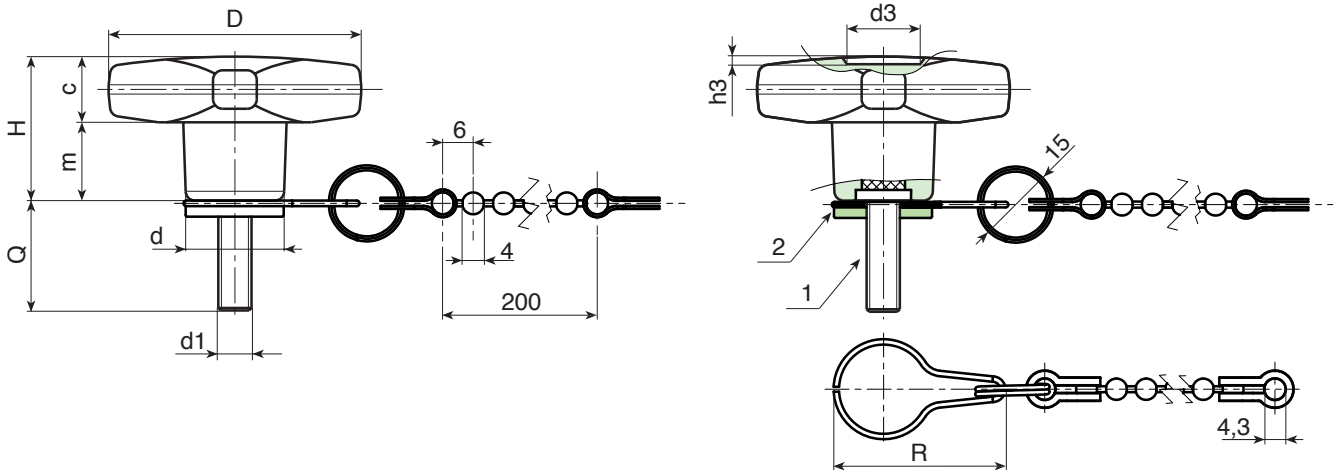


Code	Art.	D	H	d	R	c	m	d3	h3	LM	d1 <sub>6g</sub>	Q	g
-	F18932.TM05X1601CAT	32	23	15	32	11	11	9	1.5	80	M5	16	17
-	F18932.TM05X2001CAT	32	23	15	32	11	11	9	1.5	80	M5	20	18
-	F18932.TM05X3001CAT	32	23	15	32	11	11	9	1.5	80	M5	30	19
-	F18932.TM06X1601CAT	32	23	15	32	11	11	9	1.5	80	M6	16	18
-	F18932.TM06X2001CAT	32	23	15	32	11	11	9	1.5	80	M6	20	19
-	F18932.TM06X3001CAT	32	23	15	32	11	11	9	1.5	80	M6	30	21
-	F18932.TM08X1601CAT	32	23	15	32	11	11	9	1.5	80	M8	16	22
-	F18932.TM08X2001CAT	32	23	15	32	11	11	9	1.5	80	M8	20	24
-	F18932.TM08X3001CAT	32	23	15	32	11	11	9	1.5	80	M8	30	26
-	F18932.TM08X4001CAT	32	23	15	32	11	11	9	1.5	80	M8	40	28

# F189CAT



## SOLID STAR HANDWHEEL WITH RETAINING CHAIN AND THREADED STUD



Code	Art.	D	H	d	R	c	m	d3	h3	LM	d1 <sub>6g</sub>	Q	g
-	F18932.TM10X2001CAT	32	23	15	32	11	11	9	1.5	80	M10	20	27
-	F18932.TM10X3001CAT	32	23	15	32	11	11	9	1.5	80	M10	30	30
-	F18932.TM10X4001CAT	32	23	15	32	11	11	9	1.5	80	M10	40	33
-	F18940.TM06X1501CAT	40	24.5	17	33	12	12.5	12	1	80	M6	15	23
-	F18940.TM06X2001CAT	40	24.5	17	33	12	12.5	12	1	80	M6	20	23
-	F18940.TM06X3001CAT	40	24.5	17	33	12	12.5	12	1	80	M6	30	24
-	F18940.TM06X4001CAT	40	24.5	17	33	12	12.5	12	1	80	M6	40	25
-	F18940.TM06X5001CAT	40	24.5	17	33	12	12.5	12	1	80	M6	50	28
-	F18940.TM08X1601CAT	40	24.5	17	33	12	12.5	12	1	80	M8	16	25
-	F18940.TM08X2001CAT	40	24.5	17	33	12	12.5	12	1	80	M8	20	27
-	F18940.TM08X3001CAT	40	24.5	17	33	12	12.5	12	1	80	M8	30	32
-	F18940.TM08X4001CAT	40	24.5	17	33	12	12.5	12	1	80	M8	40	36
-	F18940.TM08X5001CAT	40	24.5	17	33	12	12.5	12	1	80	M8	50	40
-	F18940.TM10X1501CAT	40	24.5	17	33	12	12.5	12	1	80	M10	15	31
-	F18940.TM10X2001CAT	40	24.5	17	33	12	12.5	12	1	80	M10	20	33
-	F18940.TM10X3001CAT	40	24.5	17	33	12	12.5	12	1	80	M10	30	38
-	F18940.TM10X5001CAT	40	24.5	17	33	12	12.5	12	1	80	M10	50	50
-	F18950.TM08X2001CAT	50	29	20	35	14	15	14.5	1.5	80	M8	20	41
-	F18950.TM08X3001CAT	50	29	20	35	14	15	14.5	1.5	80	M8	30	45
-	F18950.TM08X4001CAT	50	29	20	35	14	15	14.5	1.5	80	M8	40	49
-	F18950.TM10X2001CAT	50	29	20	35	14	15	14.5	1.5	80	M10	20	52
-	F18950.TM10X3001CAT	50	29	20	35	14	15	14.5	1.5	80	M10	30	58
-	F18950.TM10X4001CAT	50	29	20	35	14	15	14.5	1.5	80	M10	40	64
-	F18950.TM10X5001CAT	50	29	20	35	14	15	14.5	1.5	80	M10	50	68
-	F18950.TM12X3001CAT	50	29	20	35	14	15	14.5	1.5	80	M12	30	60
-	F18950.TM12X5001CAT	50	29	20	35	14	15	14.5	1.5	80	M12	50	73
-	F18960.TM08X1501CAT	60	34	24	38	15.5	18.5	18	1.5	80	M8	15	49
-	F18960.TM08X2001CAT	60	34	24	38	15.5	18.5	18	1.5	80	M8	20	50
-	F18960.TM08X3001CAT	60	34	24	38	15.5	18.5	18	1.5	80	M8	30	54
-	F18960.TM08X4001CAT	60	34	24	38	15.5	18.5	18	1.5	80	M8	40	57
-	F18960.TM10X2001CAT	60	34	24	38	15.5	18.5	18	1.5	80	M10	20	68
-	F18960.TM10X3001CAT	60	34	24	38	15.5	18.5	18	1.5	80	M10	30	72
-	F18960.TM10X4001CAT	60	34	24	38	15.5	18.5	18	1.5	80	M10	40	76
-	F18960.TM10X5001CAT	60	34	24	38	15.5	18.5	18	1.5	80	M10	50	68-72-76
-	F18960.TM12X2001CAT	60	34	24	38	15.5	18.5	18	1.5	80	M12	20	53
-	F18960.TM12X3001CAT	60	34	24	38	15.5	18.5	18	1.5	80	M12	30	90
-	F18960.TM12X4001CAT	60	34	24	38	15.5	18.5	18	1.5	80	M12	40	96
-	F18960.TM12X5001CAT	60	34	24	38	15.5	18.5	18	1.5	80	M12	50	104

LM = Maximum mouldable length.  
Customised stud length available for a minimum of 150 pieces.