

F178CAT



PA6
+G.F.

UL94
HB

RoHS
COMPLIANT

6-LOBE SOLID HANDWHEEL WITH RETAINING CHAIN AND THREADED STUD

Materials:

Reinforced polyamide.
Resistant to oils and greases.

Surface finish:

Satin.

Colour:

Black (RAL 9011).

Inserts:

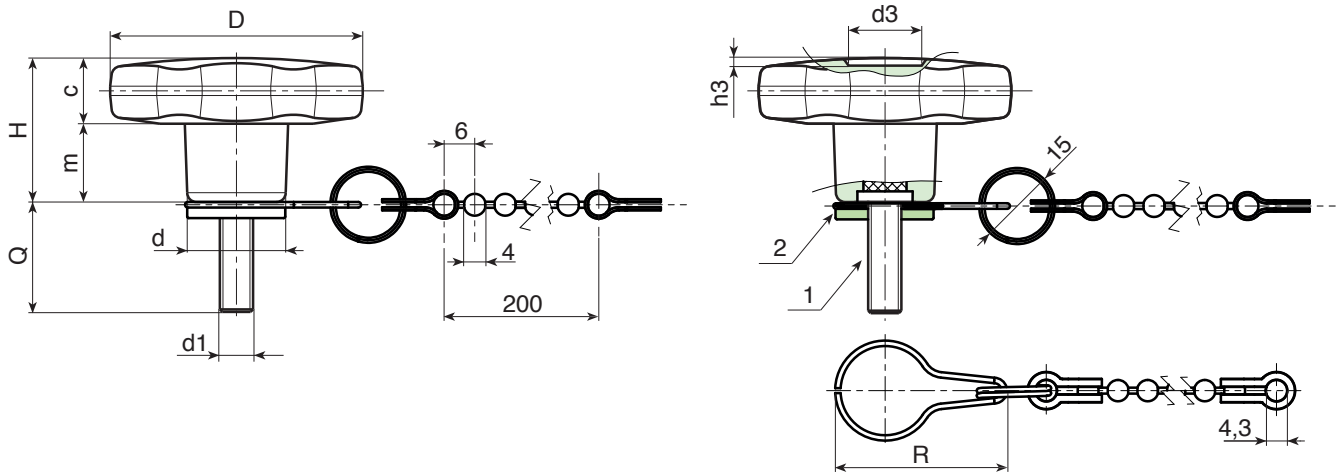
- (1) Galvanised steel threaded stud (thread tolerance 6g).
- (2) Galvanised steel turned ring nut, secured with threadlocker and with groove for retaining hook.

Chain:

Black acetal (POM) chain. Harmonic stainless steel (Aisi 302) joints, retaining ring and hub hook.

Special Requests:

- Upon request and for special quantities inserts can be supplied with customised lengths.
- Upon request the chain can be supplied with customised lengths.
- Upon request and for special quantities inserts can be supplied in different materials.
- Upon request and for special quantities available in the colours indicated in the chart (attention: reduced range) [page].



F178CAT



6-LOBE SOLID HANDWHEEL WITH RETAINING CHAIN AND THREADED STUD

F

Code	Art.	D	H	d	R	c	m	d3	h3	LM	d1 _{6g}	Q	g
-	F17830.	30	22	15	32	11	11	9	1.5	80	M5	10	13
-	F17830.	30	22	15	32	11	11	9	1.5	80	M5	16	14
-	F17830.	30	22	15	32	11	11	9	1.5	80	M5	20	15
-	F17830.	30	22	15	32	11	11	9	1.5	80	M5	30	16
-	F17830.	30	22	15	32	11	11	9	1.5	80	M5	40	17
-	F17830.	30	22	15	32	11	11	9	1.5	80	M6	10	18
-	F17830.	30	22	15	32	11	11	9	1.5	80	M6	16	19
-	F17830.	30	22	15	32	11	11	9	1.5	80	M6	20	20
-	F17830.	30	22	15	32	11	11	9	1.5	80	M6	25	20,5
-	F17830.	30	22	15	32	11	11	9	1.5	80	M6	30	21
-	F17830.	30	22	15	32	11	11	9	1.5	80	M6	40	22
-	F17830.	30	22	15	32	11	11	9	1.5	80	M8	16	22
-	F17830.	30	22	15	32	11	11	9	1.5	80	M8	20	24
-	F17830.	30	22	15	32	11	11	9	1.5	80	M8	30	28
-	F17830.	30	22	15	32	11	11	9	1.5	80	M8	40	31
-	F17830.	30	22	15	32	11	11	9	1.5	80	M10	20	31
-	F17830.	30	22	15	32	11	11	9	1.5	80	M10	30	36
-	F17830.	30	22	15	32	11	11	9	1.5	80	M10	40	42
-	F17840.	40	24.5	17	33	12	12.5	12	1	130	M6	16	28
-	F17840.	40	24.5	17	33	12	12.5	12	1	130	M6	20	28
-	F17840.	40	24.5	17	33	12	12.5	12	1	130	M6	30	30
-	F17840.	40	24.5	17	33	12	12.5	12	1	130	M6	40	31
-	F17840.	40	24.5	17	33	12	12.5	12	1	130	M8	16	31
-	F17840.	40	24.5	17	33	12	12.5	12	1	130	M8	20	33
-	F17840.	40	24.5	17	33	12	12.5	12	1	130	M8	25	34
-	F17840.	40	24.5	17	33	12	12.5	12	1	130	M8	30	36
-	F17840.	40	24.5	17	33	12	12.5	12	1	130	M8	35	37
-	F17840.	40	24.5	17	33	12	12.5	12	1	130	M8	40	39
-	F17840.	40	24.5	17	33	12	12.5	12	1	130	M8	45	41
-	F17840.	40	24.5	17	33	12	12.5	12	1	130	M8	50	42
-	F17840.	40	24.5	17	33	12	12.5	12	1	130	M10	20	40
-	F17840.	40	24.5	17	33	12	12.5	12	1	130	M10	30	44
-	F17840.	40	24.5	17	33	12	12.5	12	1	130	M10	40	48
-	F17840.	40	24.5	17	33	12	12.5	12	1	130	M10	50	52
-	F17850.	50	29	20	35	14	15	14.5	1.5	130	M8	15	51
-	F17850.	50	29	20	35	14	15	14.5	1.5	130	M8	20	52
-	F17850.	50	29	20	35	14	15	14.5	1.5	130	M8	30	55
-	F17850.	50	29	20	35	14	15	14.5	1.5	130	M8	40	58
-	F17850.	50	29	20	35	14	15	14.5	1.5	130	M10	20	58
-	F17850.	50	29	20	35	14	15	14.5	1.5	130	M10	25	60
-	F17850.	50	29	20	35	14	15	14.5	1.5	130	M10	30	63
-	F17850.	50	29	20	35	14	15	14.5	1.5	130	M10	40	64
-	F17850.	50	29	20	35	14	15	14.5	1.5	130	M10	50	67
-	F17850.	50	29	20	35	14	15	14.5	1.5	130	M12	20	66
-	F17850.	50	29	20	35	14	15	14.5	1.5	130	M12	30	70
-	F17850.	50	29	20	35	14	15	14.5	1.5	130	M12	40	75
-	F17850.	50	29	20	35	14	15	14.5	1.5	130	M12	50	80
-	F17860.	60	34	24	38	16	18	18	1.5	130	M8	30	74
-	F17860.	60	34	24	38	16	18	18	1.5	130	M8	40	77
-	F17860.	60	34	24	38	16	18	18	1.5	130	M10	20	77
-	F17860.	60	34	24	38	16	18	18	1.5	130	M10	30	83
-	F17860.	60	34	24	38	16	18	18	1.5	130	M10	40	88
-	F17860.	60	34	24	38	16	18	18	1.5	130	M10	50	91
-	F17860.	60	34	24	38	16	18	18	1.5	130	M12	20	98
-	F17860.	60	34	24	38	16	18	18	1.5	130	M12	30	105
-	F17860.	60	34	24	38	16	18	18	1.5	130	M12	40	112
-	F17860.	60	34	24	38	16	18	18	1.5	130	M12	50	119