

F176

6-LOBE SOLID HANDWHEEL WITH INSERT AND BORE



Materials:

Reinforced polyamide.
Resistant to oils and greases.

Surface finish:

Satin.

Colour:

Black (RAL 9011).

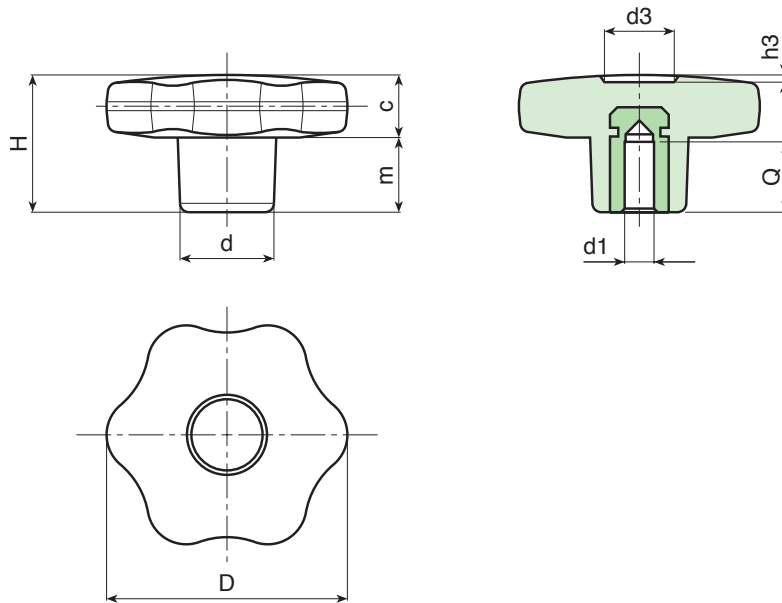
Inserts:

Brass insert with blind smooth bore (bore tolerance H9).
(* Galvanised steel insert with blind smooth bore (bore tolerance H10).

ATTENTION: bore cannot be widened.

Special Requests:

- Upon request and for special quantities inserts can be supplied in different materials.
- Upon request and for special quantities available in the colours indicated in the chart (attention: reduced range) [page].



Code	Art.	D	H	d	c	m	d3	h3	d1 _{H9}	Q	g
-	F17630.TD0601	30	22	15	11	11	9	1.5	6	14,5	17
-	F17630.TD0801	30	22	15	11	11	9	1.5	8	13	19
-	F17640.TD0601	40	24.5	17	12	12.5	12	1	6	14,5	24
-	F17640.TD0801	40	24.5	17	12	12.5	12	1	8	13	26
-	F17640.TD1001	40	24.5	17	12	12.5	12	1	10	17	28
-	F17650.TD0601	50	29	20	14	15	14.5	1.5	6	14,5	39
-	F17650.TD0801	50	29	20	14	15	14.5	1.5	8	14	41
-	F17650.TD1001	50	29	20	14	15	14.5	1.5	10	17	42
-	F17660.TD0801	60	34	24	16	18	18	1.5	(*) 08 (H10)	18	78
-	F17660.TD1001	60	34	24	16	18	18	1.5	(*) 10 (H10)	25	73
-	F17660.TD1201	60	34	24	16	18	18	1.5	(*) 12 (H10)	22	75