

F111

6-LOBE SOLID KNOB WITH THREADED STUD



Materials:

Reinforced polyamide.
Resistant to oils and greases.

Surface finish:

Satin.

Colour:

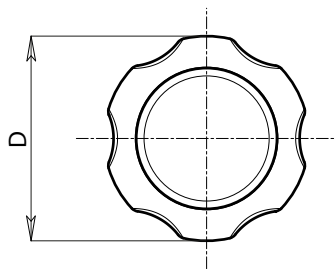
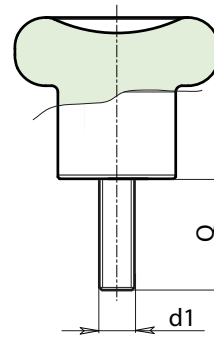
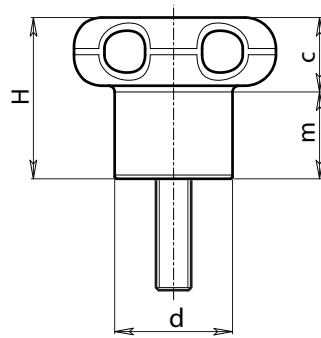
Black (RAL 9011).

Inserts:

Galvanised steel threaded stud (thread tolerance 6g).

Special Requests:

- Upon request and for special quantities inserts can be supplied with customised lengths.
- Upon request and for special quantities inserts can be supplied in different materials.
- Upon request and for special quantities available in the colours indicated in the chart (attention: reduced range) [page].



Code	Art.	D	d	H	m	c	d1 _{6g}	Q	LM	g
-	F111022.TM04X1601	22	12	17.5	11	6.5	M4	16	50	6
-	F111022.TM04X3001	22	12	17.5	11	6.5	M4	30	50	7
-	F111022.TM05X1601	22	12	17.5	11	6.5	M5	16	50	7
-	F111022.TM05X3001	22	12	17.5	11	6.5	M5	30	50	8
-	F111027.TM05X2001	27	14	22	13	9	M5	20	60	10
-	F111027.TM05X4001	27	14	22	13	9	M5	40	60	11
-	F111027.TM06X2001	27	14	22	13	9	M6	20	60	12
-	F111027.TM06X4001	27	14	22	13	9	M6	40	60	13
-	F111033.TM08X2001	33	19	26	15	11	M8	20	70	18
-	F111033.TM08X4001	33	19	26	15	11	M8	40	70	22
-	F111033.TM10X2001	33	19	26	15	11	M10	20	70	24
-	F111033.TM10X5001	33	19	26	15	11	M10	50	70	27

LM = Maximum mouldable length.