

# E521



## INDEXED CRANK HANDLE WITH SMOOTH BORE INSERT AND FOLDING HANDLE

### Material:

Reinforced polyamide. Resistant to oils and greases.

### Surface finish:

Satin.

### Colour:

Black (RAL 9011).

### Inserts:

Galvanised steel insert with blind smooth bore (bore tolerance H10).

### Lateral insert:

Brass insert with threaded through hole.

### Spring:

Stainless steel spring (Aisi 302).

### Fixing screw:

Black oxide treated steel screw with slotted head.

### Lateral handle:

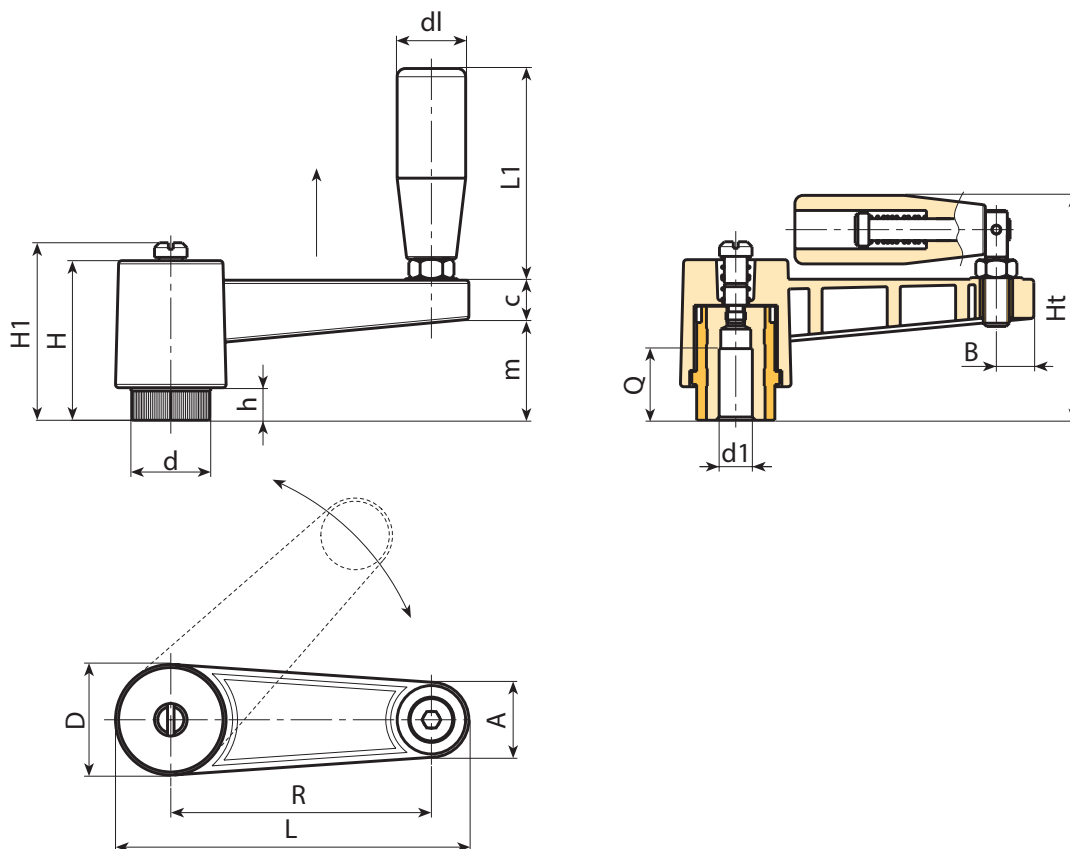
Revolving, folding handle art. M136 [page ( )].

### Special requests:

- Upon request and for special quantities inserts can be supplied in different materials.
- Upon request and for special quantities crank handle body available in the colours indicated in the chart [page 959].



05



Code	Art.	L	R	H	D	d	m	c	A	B	h	H1	Ht	d1 <sub>H10</sub>	Q	dl	L1	
E521065.0003	E521065.TP0501	87,5	65	46	27	19	29	13	17	9	10	-	67,5	5	22	20	54	105
E521080.0005	E521080.TP0501	109	80	50	34	24,5	33	13	22	12	11	54	75	5	28	23,5	76	190
E521110.0006	E521110.TP0501	139	110	50	34	24,5	33	13	22	12	11	54	75	5	28	23,5	76	220