

# E520



PA6  
+G.F.

UL94  
HB



## INDEXED CRANK HANDLE WITH SMOOTH BORE INSERT AND REVOLVING HANDLE

### Material:

Reinforced polyamide. Resistant to oils and greases.

### Surface finish:

Satin.

### Colour:

Black (RAL 9011).

### Inserts:

Galvanised steel insert with blind smooth bore (bore tolerance H10).

### Lateral insert:

Brass insert with threaded through hole.

### Spring:

Stainless steel spring (Aisi 302).

### Lateral handle:

E520: Revolving handle art. M144 page ( 504).

E511: Revolving handle art. M145 page ( 509).

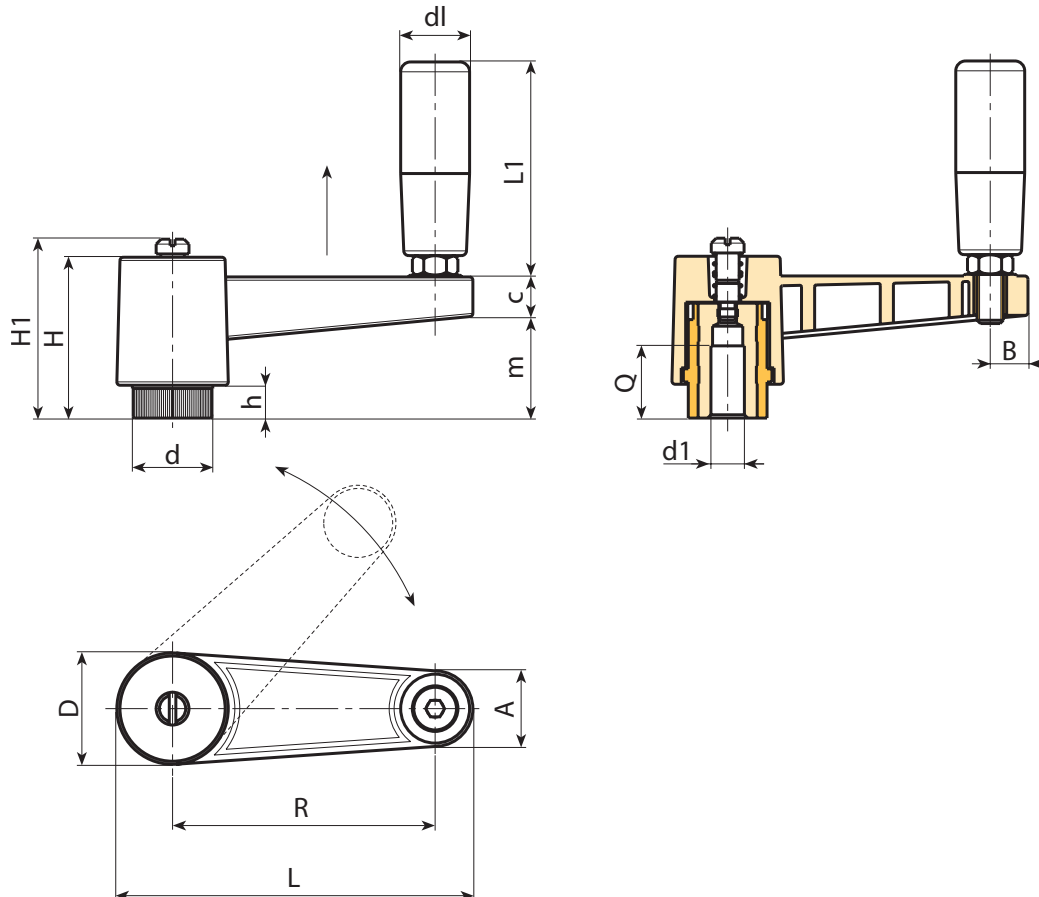
E516: Revolving handle art. M129 page ( 505).

### Fixing screw:

Black oxide treated steel screw with slotted head.

### Special requests:

- Upon request and for special quantities inserts can be supplied in different materials.
- Upon request and for special quantities lever body available in the colours indicated in the chart [page 959].



Code	Art.	L	R	H	D	d	m	c	A	B	h	H1	d1 <sub>H10</sub>	Q	dl	L1	
E520065.0003	E520065.TP0501	88,5	65	46	27	19	29	13	17	9	10	-	5	22	19	54	83
E520080.0006	E520080.TP0501	109	80	50	34	24,5	33	13	22	12	11	54	5	28	21	66	177
E520110.0004	E520110.TP0501	139	110	50	34	24,5	33	13	22	12	11	54	5	28	21	66	200