

# E330



PA6  
+G.F.

UL94  
HB



## CRANK HANDLE WITH SQUARE HOLE AND REVOLVING HANDLE

### Material:

Reinforced polyamide.  
Resistant to oils and greases.

### Surface finish:

Satin.

### Colour:

Black (RAL 9011).

### Central cap:

Grey polyamide (RAL 7035). 13.

### Alternative Cap colours:

Orange (RAL 2004 code 02).  
Red (RAL 3000 code 16).  
Blue (RAL 5015 code 07).  
Green (RAL 6024 code 17).  
Yellow (RAL 1021 code 10).  
Black (RAL 9011 code 01).

### Inserts:

Bush with square through hole in black oxide treated steel (hole tolerance H10).

### Lateral insert:

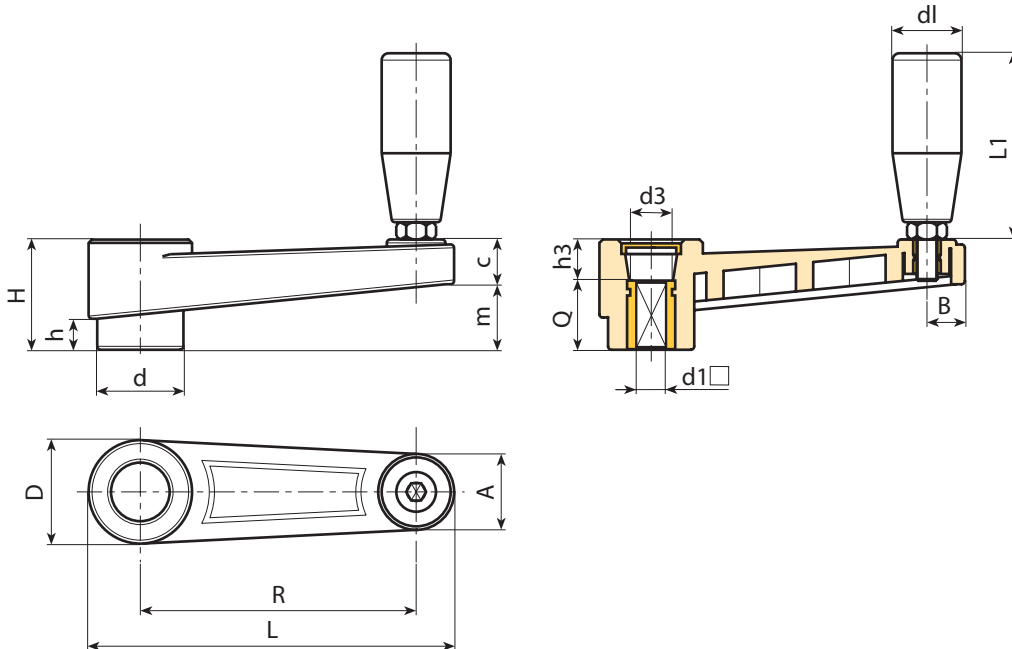
Brass insert with threaded through hole.

### Lateral handle:

E330: Revolving handle art. M144 page ( 504).  
E331: Revolving handle art. M145 page ( 509).  
E332: Revolving handle art. M129 page ( 505).

### Special requests:

- Upon request and for special quantities inserts can be supplied in different materials/with different coatings.
- Upon request and for special quantities available in the colours indicated in the chart [page 959].



Code	Art.	L	R	H	D	d	m	c	A	B	h	d3	h3	d1 <sub>H10</sub>	Q	dl	L1	g
E330065.0001	E330065.TQ0601P	88,5	65	30	27,5	22	17	13	18	9,5	8	14,5	10	6	20	19	54	96
E330065.0002	E330065.TQ0801P	88,5	65	30	27,5	22	17	13	18	9,5	8	14,5	10	8	20	19	54	92
E330080.0002	E330080.TQ1001P	107	80	33,5	32	26	20,5	13	23	11	9	19,5	9,5	10	24	19	54	105
E330110.0003	E330110.TQ1201P	140	110	39	35	29	25	14	24	12	11	19,5	11	12	28	21	66	152
E330140.0001	E330140.TQ1401P	175	140	49	44	35,5	32	17	27	13	15,5	24	19	14	30	23,5	76	242
E330185.0001	E330185.TQ1701P	223	185	55	47,5	40	38,5	16,5	27	14	17	29,5	21	17	34	25,5	87	385