

E242



CRANK HANDLE WITH SQUARE HOLE INSERT AND FOLDING HANDLE

Material:

Reinforced polyamide.
Resistant to oils and greases.

Surface finish:

Satin.

Colour:

Black (RAL 9011).

Central cap:

Grey polyamide (RAL 7035). 13).

Alternative Cap colours:

Orange (RAL 2004 code 02).
Red (RAL 3000 code 16).
Blue (RAL 5015 code 07).
Green (RAL 6024 code 17).
Yellow (RAL 1021 code 10).
Black (RAL 9011 code 01).

Inserts:

Bush with square through hole in black oxide treated steel
(hole tolerance H10).

Lateral insert:

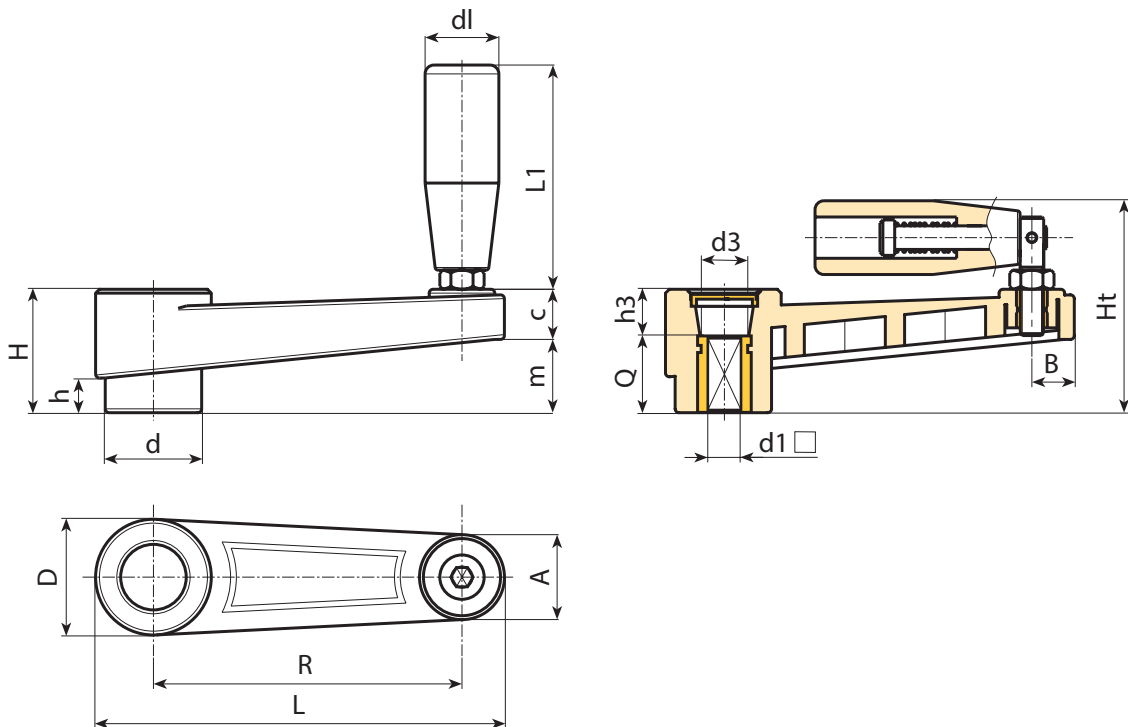
Brass insert with threaded through hole.

Lateral handle:

Revolving, folding handle art. M136 [page].

Special requests:

- Upon request and for special quantities inserts can be supplied in different materials/with different coatings.
- Upon request and for special quantities available in the colours indicated in the chart [page].



Code	Art.	L	R	H	Ht	D	d	m	c	A	B	h	d3	h3	d1 _{H10}	Q	dl	L1	
-	E242065.TQ0801P	88,5	65	30	55	27,5	22	17	13	20	9,5	8	14,5	10	8	20	20	54	100
-	E242080.TQ1001P	107	80	33,5	58	32	26	20,5	13	23	11	9	19,5	9,5	10	24	20	54	110
-	E242110.TQ1201P	140	110	39	68	35	29	25	14	24	12	11	19,5	11	12	28	23,5	76	156
-	E242140.TQ1401P	175	140	49	84	44	35,5	32	17	27	13	15,5	24	19	14	30	26	89	240
-	E242185.TQ1701P	223	185	55	90	47,5	40	38,5	16,5	27	14	17	29,5	21	17	34	26	97	430