

E230



CRANK HANDLE WITH HEXAGONAL HOLE AND REVOLVING HANDLE

Material:

Reinforced polyamide.
Resistant to oils and greases.

Surface finish:

Satin.

Colour:

Black (RAL 9011).

Central cap:

Grey polyamide (RAL 7035). 13.

Alternative Cap colours:

Orange (RAL 2004 code 02).
Red (RAL 3000 code 16).
Blue (RAL 5015 code 07).
Green (RAL 6024 code 17).
Yellow (RAL 1021 code 10).
Black (RAL 9011 code 01).

Inserts:

Bush with hexagonal through hole in black oxide treated steel (hole tolerance H10).

Lateral insert:

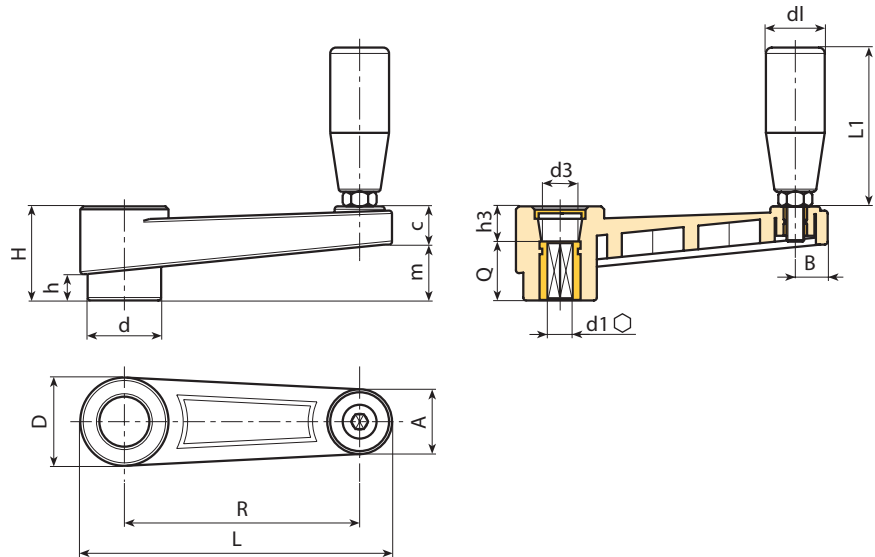
Brass insert with threaded through hole.

Lateral handle:

E230: Revolving handle art. M144 page (504).
E231: Revolving handle art. M145 page (509).
E232: Revolving handle art. M129 page (505).

Special requests:

- Upon request and for special quantities inserts can be supplied in different materials/with different coatings.
- Upon request and for special quantities available in the colours indicated in the chart [page 959].



Code	Art.	L	R	H	D	d	m	c	A	B	h	d3	h3	d1 _{H10}	Q	dl	L1	g
E230065.0002	E230065.TE0601P	88,5	65	30	27,5	22	17	13	20	9,5	8	14,5	10	6	20	19	54	96
E230065.0001	E230065.TE0801P	88,5	65	30	27,5	22	17	13	20	9,5	8	14,5	10	8	20	19	54	93
E230080.0001	E230080.TE1001P	107	80	33,5	32	26	20,5	13	23	11	9	19,5	9,5	10	24	19	54	105
E230080.0002	E230080.TE1201P	107	80	33,5	32	26	20,5	13	23	11	9	19,5	9,5	12	24	19	54	103
E230110.0001	E230110.TE1201P	140	110	39	35	29	22	14	24	12	11	19,5	11	12	28	21	66	152
E230110.0002	E230110.TE1401P	140	110	39	35	29	22	14	24	12	11	19,5	11	14	28	21	66	149
E230140.0001	E230140.TE1401P	175	140	49	44	35,5	32	17	27	13	15,5	24	19	14	30	23,5	76	242
E230140.0002	E230140.TE1601P	175	140	49	44	35,5	32	17	27	13	15,5	24	19	16	30	23,5	76	238
E230185.0001	E230185.TE1601P	223	185	55	47,5	40	38,5	16,5	27	14	17	29,5	19	16	34	25,5	87	385
E230185.0002	E230185.TE1701P	223	185	55	47,5	40	38,5	16,5	27	14	17	29,5	19	17	34	25,5	87	385