

# E218



PA6  
+G.F.

UL94  
HB



## CRANK HANDLE WITH THREADED INSERT AND FOLDING HANDLE

### Material:

Reinforced polyamide.  
Resistant to oils and greases.

### Surface finish:

Satin.

### Colour:

Black (RAL 9011).

### Central cap:

Grey polyamide (RAL 7035). 13).

### Alternative Cap colours:

Orange (RAL 2004 code 02).  
Red (RAL 3000 code 16).  
Blue (RAL 5015 code 07).  
Green (RAL 6024 code 17).  
Yellow (RAL 1021 code 10).  
Black (RAL 9011 code 01).

### Inserts:

Brass insert with female threaded hole (thread tolerance 6H).  
(\* Galvanised steel insert with female threaded hole (thread tolerance 6H).

### Lateral insert:

Brass insert with threaded through hole.

### Lateral handle:

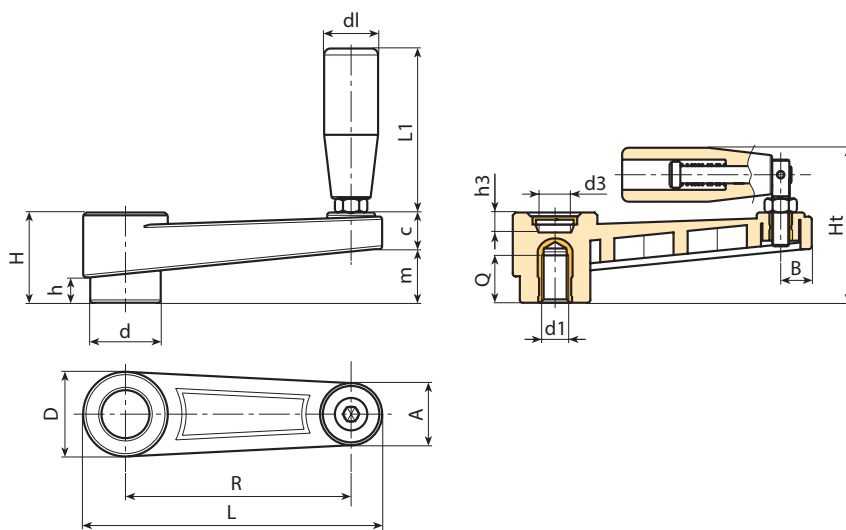
Revolving, folding handle art. M136 [page 510].

### Special requests:

- Upon request and for special quantities inserts can be supplied in different materials.
- Upon request and for special quantities available in the colours indicated in the chart [page 959].



05



Code	Art.	L	R	H	Ht	D	d	m	c	A	B	h	d3	h3	d1 <sub>6H</sub>	Q	dl	L1	g
E218065.0001	E218065.TM0801	88,5	65	30	55	27,5	22	17	13	20	9,5	8	14,5	10	M8	13	20	54	78
E218065.0002	E218065.TM1001	88,5	65	30	55	27,5	22	17	13	20	9,5	8	14,5	10	M10	13	20	54	78
E218065.0004	E218065.TM1201	88,5	65	30	55	27,5	22	17	13	20	9,5	8	14,5	10	M12	13	20	54	83
E218080.0001	E218080.TM0801	107	80	33,5	58	32	26	20,5	13	23	11	9	19,5	9,5	M8	13	20	54	94
E218080.0003	E218080.TM1001	107	80	33,5	58	32	26	20,5	13	23	11	9	19,5	9,5	M10	13	20	54	95
E218080.0004	E218080.TM1201	107	80	33,5	58	32	26	20,5	13	23	11	9	19,5	9,5	M12	13	20	54	100
E218110.0002	E218110.TM1001	140	110	39	68	35	29	25	14	24	12	11	19,5	11	M10	13	23,5	76	156
E218110.0004	E218110.TM1201	140	110	39	68	35	29	25	14	24	12	11	19,5	11	M12	17	23,5	76	156
E218110.0007	E218110.TM1401	140	110	39	68	35	29	25	14	24	12	11	19,5	11	M14	17	23,5	76	156
E218140.0001	E218140.TM1201	175	140	49	84	44	35,5	32	17	27	13	15,5	24	19	M12	17	26	89	274
E218140.0003	E218140.TM1401	175	140	49	84	44	35,5	32	17	27	13	15,5	24	19	M14	17	26	89	283
E218140.0004	E218140.TM1601	175	140	49	84	44	35,5	32	17	27	13	15,5	24	19	M16(*)	17	26	89	290
E218185.0001	E218185.TM1201	223	185	55	90	47,5	40	38,5	16,5	27	14	17	29,5	21	M12	17	26	97	340
E218185.0003	E218185.TM1401	223	185	55	90	47,5	40	38,5	16,5	27	14	17	29,5	21	M14	17	26	97	345
E218185.0005	E218185.TM1601	223	185	55	90	47,5	40	38,5	16,5	27	14	17	29,5	21	M16(*)	17	26	97	360

