

# E216



## CRANK HANDLE WITH SMOOTH BORE INSERT AND REVOLVING HANDLE

**Material:**  
Reinforced polyamide.  
Resistant to oils and greases.

**Surface finish:**  
Satin.

**Colour:**  
Black (RAL 9011).

**Central cap:**  
Grey polyamide (RAL 7035). 13).

**Alternative Cap colours:**  
Orange (RAL 2004 code 02).  
Red (RAL 3000 code 16).  
Blue (RAL 5015 code 07).  
Green (RAL 6024 code 17).  
Yellow (RAL 1021 code 10).  
Black (RAL 9011 code 01).

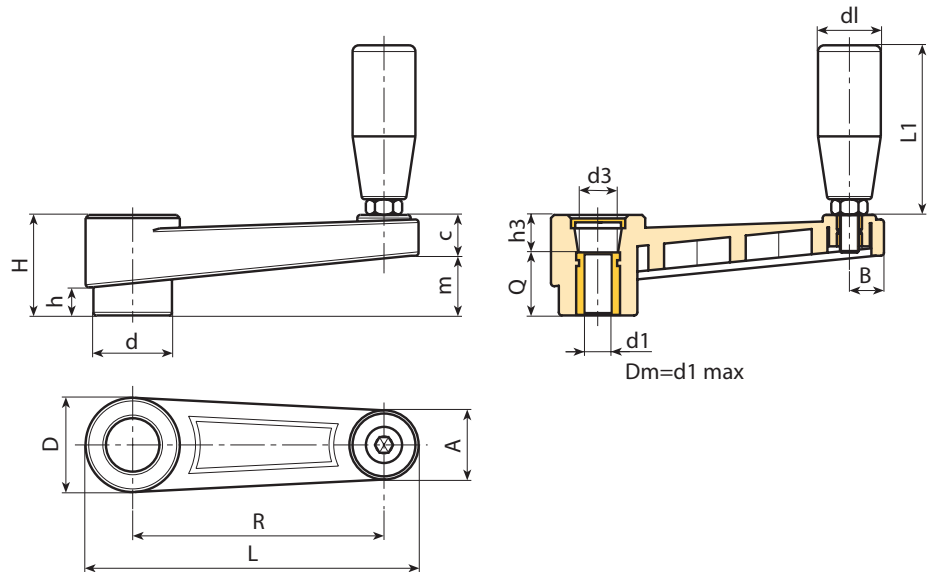
**Inserts:**  
Galvanised steel insert with smooth through bore (tolerance H10).

**Lateral insert:**  
Brass insert with threaded through hole.

**Lateral handle:**  
E216: Revolving handle art. M144 page ( 504).  
E221: Revolving handle art. M145 page ( 509).  
E222: Revolving handle art. M129 page ( 505).

### Special requests:

- Upon request and for special quantities inserts can be supplied with custom hole diameter d1.
- Upon request and for special quantities inserts can be supplied in different materials/with different coatings.
- Upon request and for special quantities available in the colours indicated in the chart [page 959].



| Code         | Art.           | L    | R   | H    | D    | d    | m    | c    | A  | B   | h    | d3   | h3  | dm | d1 <sub>H10</sub> | Q  | d1   | L1   | g   |
|--------------|----------------|------|-----|------|------|------|------|------|----|-----|------|------|-----|----|-------------------|----|------|------|-----|
| E216065.0015 | E216065.TP0501 | 88,5 | 65  | 30   | 27,5 | 22   | 17   | 13   | 20 | 9,5 | 8    | 14,5 | 10  | 12 | 5                 | 20 | 19   | 54   | 96  |
| E216065.0004 | E216065.TD1001 | 88,5 | 65  | 30   | 27,5 | 22   | 17   | 13   | 20 | 9,5 | 8    | 14,5 | 10  | 12 | 10                | 20 | 19   | 54   | 92  |
| E216065.0009 | E216065.TD1201 | 88,5 | 65  | 30   | 27,5 | 22   | 17   | 13   | 20 | 9,5 | 8    | 14,5 | 10  | 12 | 12                | 20 | 19   | 54   | 89  |
| E216080.0020 | E216080.TP0501 | 107  | 80  | 33,5 | 32   | 26   | 20,5 | 13   | 23 | 11  | 9    | 19,5 | 9,5 | 14 | 5                 | 24 | 19   | 54   | 110 |
| E216080.0007 | E216080.TD1001 | 107  | 80  | 33,5 | 32   | 26   | 20,5 | 13   | 23 | 11  | 9    | 19,5 | 9,5 | 14 | 10                | 24 | 19   | 54   | 105 |
| E216080.0009 | E216080.TD1201 | 107  | 80  | 33,5 | 32   | 26   | 20,5 | 13   | 23 | 11  | 9    | 19,5 | 9,5 | 14 | 12                | 24 | 19   | 54   | 102 |
| E216110.0003 | E216110.TD0801 | 140  | 110 | 39   | 35   | 29   | 25   | 14   | 24 | 12  | 11   | 19,5 | 11  | 14 | 8                 | 28 | 21   | 66   | 160 |
| E216110.0005 | E216110.TD1001 | 140  | 110 | 39   | 35   | 29   | 25   | 14   | 24 | 12  | 11   | 19,5 | 11  | 14 | 10                | 28 | 21   | 66   | 152 |
| E216110.0006 | E216110.TD1201 | 140  | 110 | 39   | 35   | 29   | 25   | 14   | 24 | 12  | 11   | 19,5 | 11  | 14 | 12                | 28 | 21   | 66   | 148 |
| E216140.0002 | E216140.TD0801 | 175  | 140 | 49   | 44   | 35,5 | 32   | 17   | 27 | 13  | 15,5 | 24   | 19  | 20 | 8                 | 30 | 23,5 | 76,5 | 250 |
| E216140.0007 | E216140.TD1201 | 175  | 140 | 49   | 44   | 35,5 | 32   | 17   | 27 | 13  | 15,5 | 24   | 19  | 20 | 12                | 30 | 23,5 | 76,5 | 242 |
| E216140.0011 | E216140.TD1401 | 175  | 140 | 49   | 44   | 35,5 | 32   | 17   | 27 | 13  | 15,5 | 24   | 19  | 20 | 14                | 30 | 23,5 | 76,5 | 238 |
| E216140.0017 | E216140.TD1601 | 175  | 140 | 49   | 44   | 35,5 | 32   | 17   | 27 | 13  | 15,5 | 24   | 19  | 20 | 16                | 30 | 23,5 | 76,5 | 232 |
| E216185.0001 | E216185.TD0801 | 223  | 185 | 55   | 47,5 | 40   | 38,5 | 16,5 | 27 | 14  | 17   | 29,5 | 21  | 22 | 8                 | 34 | 25,5 | 87   | 430 |
| E216185.0004 | E216185.TD1201 | 223  | 185 | 55   | 47,5 | 40   | 38,5 | 16,5 | 27 | 14  | 17   | 29,5 | 21  | 22 | 12                | 34 | 25,5 | 87   | 400 |

Attention: For a minimum of 50 pieces the diameter d1 can be customised (hole tolerance H10 galvanised and H7 black-oxide treated).  
Dm = Maximum obtainable diameter for subsequent machining (widening).

