

TWO-SPOKE CONTROL HANDWHEEL BASE WITH PROVISION FOR HANDLE

Materials:

Reinforced and stabilized polyamide. Resistant to oils and greases.

Surface finish:

Satin.

Colour:

Black (RAL 9011).

Central cap:

Grey polyamide (RAL 7035). 13.

Alternative cap colours:

Orange (RAL 2004 code 02).
 Blue (RAL 5015 code 07).
 Yellow (RAL 1021 code 10).
 Red (RAL 3000 code 16).
 Green (RAL 6024 code 17).
 Black (RAL 9011 code 01).

Main insert:

Galvanised steel insert with smooth through bore (tolerance H10).

Lateral insert:

Brass insert with threaded through hole.

Hub:

Solid Hub.

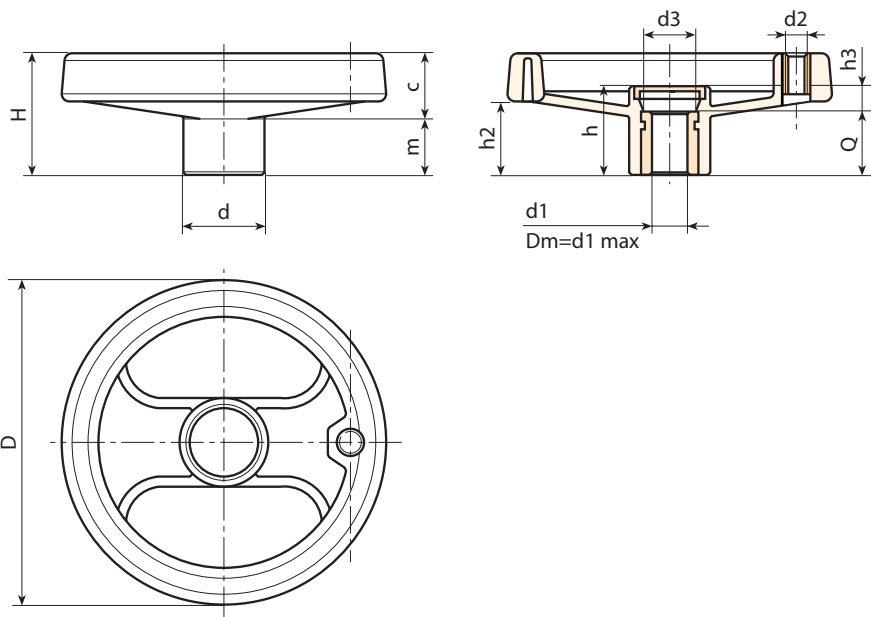
(*) Lightweight hub.

Fixing method:

For fixing systems, or execution of keyways or square holes, please refer to the technical notes attached to the catalogue [page 966].

Special requests:

- Upon request and for a minimum of 50 pieces inserts can be supplied with hole d1 with tolerance H7 and black oxide treated finish. Add letters ZB to the standard code. Example: D130.ZB.TD1001PZB.
- Upon request and for special quantities inserts can be supplied with custom hole diameter d1.
- Upon request and for special quantities inserts can be supplied in different materials/with different coatings.
- Upon request and for special quantities available in the colours indicated in the chart [page 959].



Code	Art.	D	H	h	d	m	c	h2	h3	d3	Dm	d2 _{6H}	d1 _{H10}	Q	
D080.TP0501PZ1	D080.TP0501PZ1	80	34	26	24,5	15,5	18,5	20	6	16,5	12	M6	5	20	90
D100.TP0501PZ1	D100.TP0501PZ1	99	43	33	28	19,5	23,5	27	9	17	16	M6	5	24	150
D130.TP0501PZ1	D130.TP0501PZ1	129	50	35,5	32	20	30	30	11,5	25,5	18	M8	5	24	230
D160.TD0801PZ1	D160.TD0801PZ1	160	57,5	41	40	20	37,5	34	9	26	22	M8	8	32	375
D200.TD0801PZ1	D200.TD0801PZ1	198	61	39,5	51	17	44	32	7,5	27	22	M8	8	32	615
D250.TD0801PZ1	D250.TD0801PZ1	252	70	48	56	23	47	38,5	12	31,5	28	M10	8	36	920
D350.TD0801PZ1	D350.TD0801PZ1	349	80	50	67	21,5	58,5	43,5	18	35	30	M10	(*)8	32	1510

Attention: For a minimum of 50 pieces the diameter d1 can be customised (hole tolerance H10 galvanised and H7 black-oxide treated).