

D779



LIGHTWEIGHT CONTROL HANDWHEEL WITH REVOLVING HANDLE

Materials:

Reinforced polyamide.
Resistant to oils and greases.

Surface finish:

Satin.

Colour:

Black (RAL 9011).

Main insert:

Galvanised steel insert with smooth through bore (tolerance H10).

Lateral insert:

Brass insert with threaded through hole.

Lateral handle:

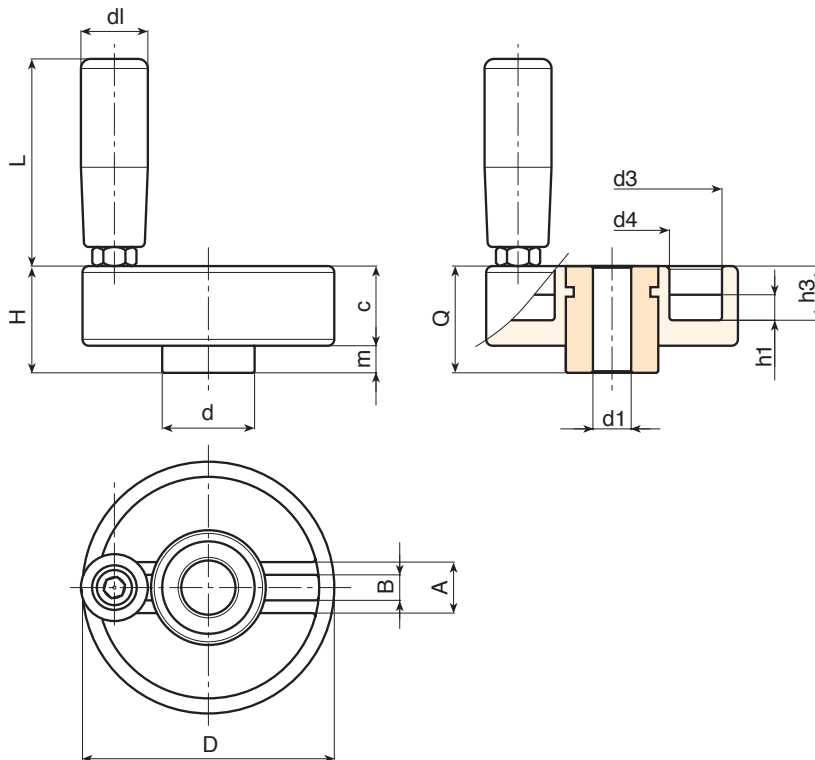
Revolving handle art. M144 [page 504].

Fixing method:

For fixing systems, or execution of keyways or square holes, please refer to the technical notes attached to the catalogue [page 966].

Special requests:

- Upon request and for a minimum of 50 pieces inserts can be supplied with hole d_1 with tolerance H7 and black oxide treated finish. Add letters ZB to the standard code. Example: D77980.TD1101PZB.
- Upon request and for special quantities inserts can be supplied with custom hole diameter d_1 .
- Upon request and for special quantities inserts can be supplied in different materials/with different coatings.
- Upon request and for special quantities available in the colours indicated in the chart [page 959].



| Code | Art. | D | H | d | c | m | h1 | h3 | A | B | d3 | d4 | dl | L | Dm | d1 _{H10} | Q | g |
|-------------|----------------|----|----|----|----|---|----|----|----|-----|----|----|----|----|----|-------------------|----|-----|
| D77980.0011 | D77980.TP0501P | 80 | 34 | 29 | 25 | 9 | 8 | 17 | 16 | 7.5 | 69 | 36 | 21 | 65 | 20 | 8 | 34 | 285 |
| D77980.0003 | D77980.TD1201P | 80 | 34 | 29 | 25 | 9 | 8 | 17 | 16 | 7.5 | 69 | 36 | 21 | 65 | 20 | 12 | 34 | 279 |

Attention: For a minimum of 50 pieces the diameter d_1 can be customised (hole tolerance H10 galvanised and H7 black-oxide treated).
Dm = Maximum obtainable diameter for subsequent machining (widening).