

D610

NEW

+135°
-30°

PA6

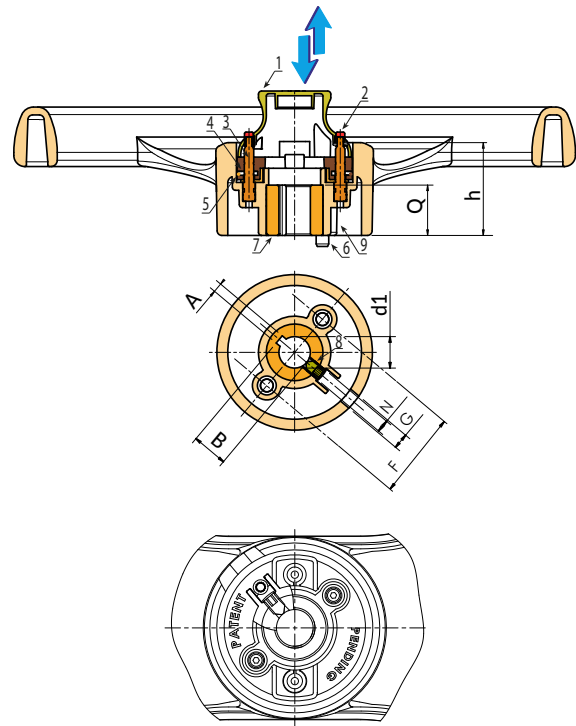
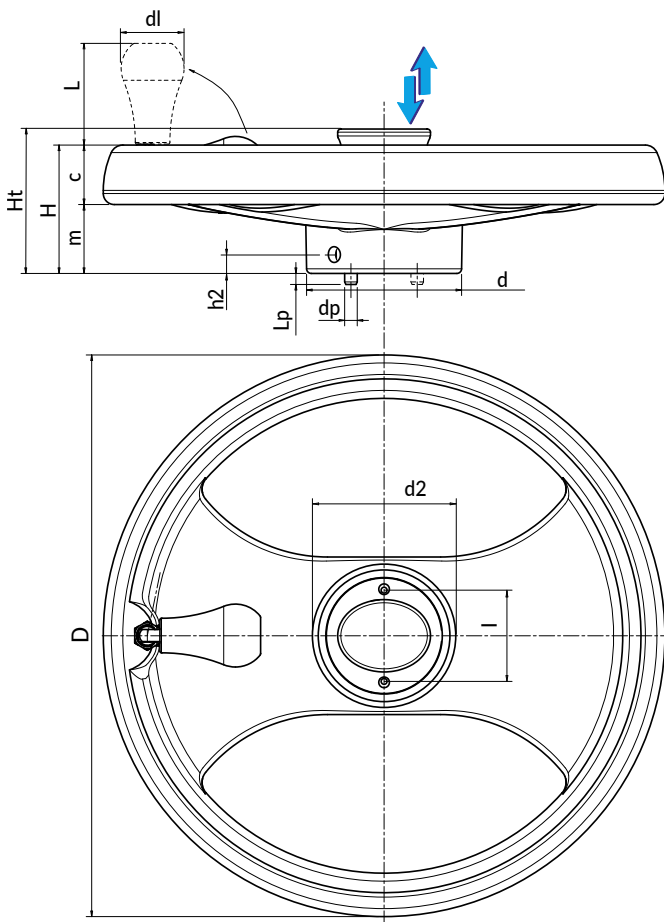
UL94
HB

RoHS
COMPLIANT

EUROMODEL SPOKE HANDWHEEL WITH REVOLVING AND FOLDING HANDLE WITH CENTRAL LOCKING KNOB

BREVETTATO

This product is an evolution of our series D601-D604. It is designed primarily for use in mobile storage cabinets. The handwheel spokes are shaped with a more modern design, typical of our Euromodel line. We have added a central knob controlling a special mechanism that blocks the rotation of the handwheel (and thus of the storage cabinet door on which it is mounted). The locking system blocks any movement in such a way that the handwheel cannot be removed to force the opening of the door. The sliding doors of the storage cabinet may be safely closed, thus preventing any undesired access or accidental movement. The product is covered by two patents (locking mechanism and anti-removal system).



Code	Art.	D	H	Ht	h	m	c	d	dp
D612350.0001	D610350.TD2001H	350	80	92	59	43	37	98	8

D610

NEW



PA6

UL94
HB



BREVETTATO

EUROMODEL SPOKE HANDWHEEL WITH REVOLVING AND FOLDING HANDLE WITH CENTRAL LOCKING KNOB

Materials:

Reinforced and stabilized polyamide. Resistant to oils and greases.

Surface finish:

Satin.

Colour:

Black (RAL 9011).

Inserts:

- (2) Green polyamide button (RAL 6024).
- (3) Grooved sliding guide to position the knob, galvanised steel.
- (4) Connection flange for knob, springs, safety pin, and locking pins. Reinforced and stabilized polyamide.
- (5) Harmonic stainless steel retaining spring (AISI 302).
- (6) Galvanized steel locking pin with hexagonal seat and retractable mechanism to facilitate the insertion of the pin into the hole of the structure.
- (7) Galvanized steel insert with smooth through bore (tolerance H10) and key.
- (8) Fastening thrust pin M8x12, in black-oxide treated steel, with hexagonal seat and fixing cone end (DIN 914 - UNI 5927).
- (9) Galvanized steel pin, connected to the knob through the central flange. Once lowered, the knob moves in front of the handwheel grub screw. This way it is impossible to insert an Allen wrench to loosen the grub screw and remove the handwheel from the cabinet. It is a safety function.

Central knob:

- (1) Central reinforced polyamide knob. Resistant to oils and greases.

Lateral handle:

Flush, foldaway revolving handle in handwheel M202 "Euromodel", with hexagonal connection. PA6+GF handle, black RAL 9011. Black-oxide treated internal mechanism. Fixed with black-oxide treated hexagon socket button head screw ISO 7838. Handle cap in green polyamide (RAL 6023 code 17).

Special requests:

- Upon request and for special quantities inserts can be supplied with custom hole diameter d1.
- Upon request and for special quantities inserts can be supplied in different materials/with different coatings.



04



This product works in a rather simple way: pulling the central knob upwards lifts a connection flange that raises both locking pins. After coming out of the metal plate of the mobile shelf and retracting inside the handwheel, these pins allow the operator to rotate the handwheel and consequently move the entire shelf. When in raised position, the knob hides both side caps covering the top of the guiding pins. When about to reach the desired shelf position, push the knob towards the inside of the handwheel: this action will lower the connection flange, allowing one of the locking pins to protrude thus facilitating the insertion of the pins in the holes of the metal plate. Also, the locking pin features a spring retaining mechanism, so that if the knob is pressed when the pin is not in the correct position yet, the pin will retract smoothly. The spring keeps it pressed, and as soon as the hole aligns with the pin, the spring pushes it in, thus locking the handwheel. In this position, both green buttons come out of the knob, making it easier to identify the correct locking position. The safety pin too follows the connection flange, so it lowers and covers the hole containing the thrust pin that fastens the handwheel to the pin of the shelf. This way it is impossible to insert a tool to loosen the grub screw. This option is only effective if there is a lock that blocks the movement of the knob.

Lp	h2	A	B	I	N	G	F	d2	dl	L	d1H10	Q	g
7	12	6	22,8	58	M8	10	55	78	40	64	20	32	1800