

# D601

+135°  
-30°

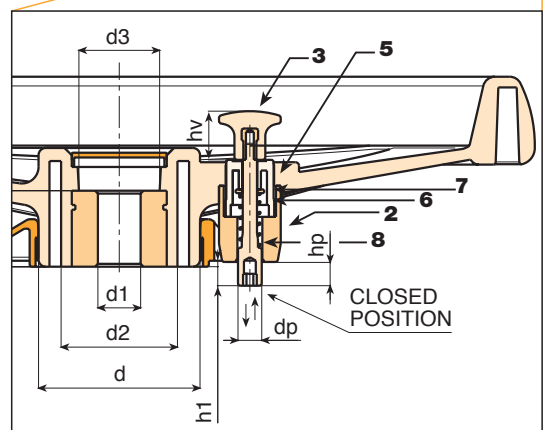
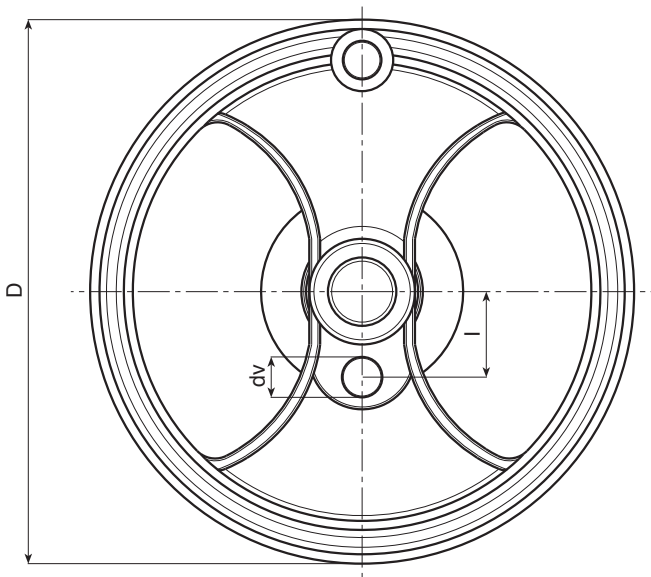
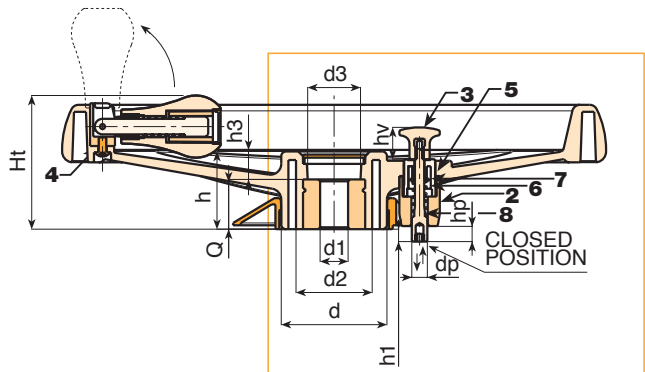
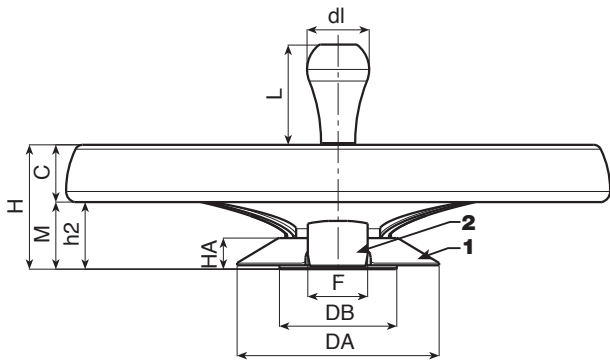
PA6  
+G.F.

UL94  
HB

RoHS  
COMPLIANT

## TWO-SPOKE HANDWHEEL WITH FOLDAWAY HANDLE AND LOCKING PISTON

This product type is a variation of our traditional handwheel D207-350. By simply adding a special assembly kit this product adapts to the requirements of a particular market: the mobile shelving market (mobile storage cabinets mounted on a trackway). This handwheel is used to move the shelving along the trackway. A fitted lock or locking piston serves to lock, stop, position the shelving units in certain positions.



Code	Art.	D	H	Ht	h	d	M	C	h2
-	D601350. TD2001H	346	80	86	49.5	67.5	24	56	43.5

Dm = Maximum obtainable diameter for subsequent machining. (widening)  
A.R. = Upon request, for a minimum of 50 pieces.

# D601



PA6  
+G.F.

UL94  
HB



## TWO-SPOKE HANDWHEEL WITH FOLDAWAY HANDLE AND LOCKING PISTON

### Materials:

Reinforced and stabilized polyamide. Resistant to oils and greases.

### Surface finish:

Satin.

### Colour:

Black (RAL 9011).

### Central cap:

Grey polyamide (RAL 7035). 13).

### Alternative cap colours:

Orange (RAL 2004 code 02).  
Blue (RAL 5015 code 07).  
Yellow (RAL 1021 code 10).  
Red (RAL 3000 code 16).  
Green (RAL 6024 code 17).  
Black (RAL 9011 code 01).

### Locking piston kit:

(1) PA6+GF hole cover ring. Colour Black (RAL 9011). Push-fit assembly. Removable.  
(2) PA6+GF piston holder. Colour Black (RAL 9011). Assembly with two self-tapping, galvanised steel screws, screwdriver head 3.5x30.  
(3) PA6+GF gear stick d. 26 with positioning brackets. Colour Black (RAL 9011). With M04 brass female threaded insert.  
(5) PA6+GF gear stick support with positioner. Colour Black (RAL 9011).  
(6) Galvanised steel return spring.  
(7) Galvanised steel washer.  
(8) Galvanised steel locking piston. Seat for Allen wrench no. 5 for fastening. Piston stroke 10 mm. Useful projection from handwheel 8 mm.

### Inserts:

Galvanised steel insert with smooth through bore (tolerance H10).  
(4) Black-oxide treated hexagon socket button head screw ISO 7838 for fastening handle.

### Lateral handle:

Flush, foldaway revolving handle in handwheel M202 "Euromodel", with hexagonal connection. PA6+GF handle, black RAL 9011. Black-oxide treated internal mechanism. Fixed with black-oxide treated hexagon socket button head screw ISO 7838. Handle cap in grey polyamide (RAL 7035 code 13).

### Fixing method:

For fixing systems, or execution of keyways or square holes, please refer to the technical notes attached to the catalogue [page ].

### Special requests:

- Upon request and for a minimum of 50 pieces inserts can be supplied with hole d1 with tolerance H7 and black oxide treated finish. Add letters ZB to the standard code. Example: D601350.TD1001PZB.
- Upon request and for special quantities inserts can be supplied with custom hole diameter d1.
- Upon request and for special quantities inserts can be supplied in different materials/with different coatings.
- Upon request and for special quantities available in the colours indicated in the chart [page ].



h3	d2	d3	Dm	d1H10	Q	l	dv	hv	h1	dp	hp	DA	HA	DB	F	
17.5	49	35	28	20	32	55	20	21	8	10	10	131	20	76	38	1800

Dm = Maximum obtainable diameter for subsequent machining. (widening)  
A.R. = Upon request, for a minimum of 50 pieces.