

D207200

"EUROMODEL" TWO-SPOKE CONTROL HANDWHEEL WITH REVOLVING FOLDAWAY HANDLE



MODELLO DEPOSITATO

Materials:

Reinforced and stabilized polyamide.
Resistant to oils and greases.

Surface finish:

Satin.

Colour:

Black (RAL 9011).

Central cap:

Grey polyamide (RAL 7035). 13.

Alternative cap colours:

Orange (RAL 2004 code 02).
Blue (RAL 5015 code 07).
Yellow (RAL 1021 code 10).
Red (RAL 3000 code 16).
Green (RAL 6024 code 17).
Black (RAL 9011 code 01).

Main insert:

Galvanised steel insert with smooth through bore (tolerance H10).

Lateral handle:

Flush, foldaway revolving handle, with hexagonal connection. Reinforced polyamide handle. Black-oxide treated internal mechanism. Fixed with black-oxide treated hexagon socket button head screw ISO 7838.

Hub:

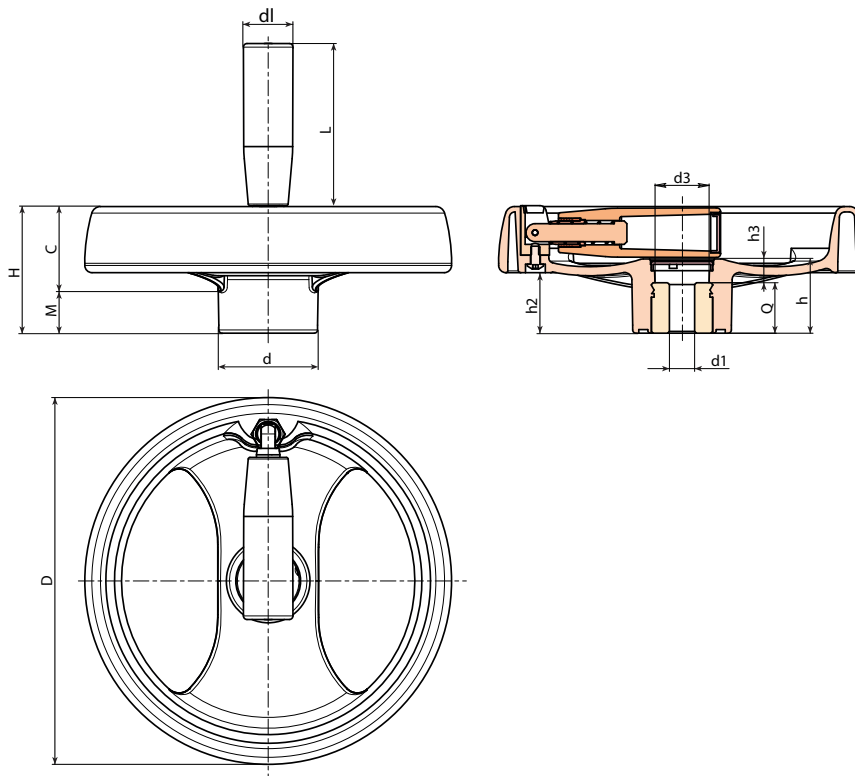
Solid Hub.

Fixing method:

For fixing systems, or execution of keyways or square holes, please refer to the technical notes attached to the catalogue [page].

Special requests:

- Upon request and for a minimum of 50 pieces inserts can be supplied with hole $d1$ with tolerance H7 and black oxide treated finish. Add letters ZB to the standard code. Example: D207200.TD1801PZB.
- Upon request and for special quantities inserts can be supplied with custom hole diameter $d1$.
- Upon request and for special quantities inserts can be supplied in different materials/with different coatings.
- Upon request and for special quantities spoke handwheels, handles and caps are available in the colours indicated in the chart (reduced range) [page].



| Code | Art. | D | H | h | d | m | c | h3 | d3 | d1 | L | Dm | d1 _{H10} | Q | |
|------|-----------------|-----|----|----|----|----|----|----|----|----|----|----|-------------------|----|-----|
| - | D207200.TD0801P | 200 | 69 | 41 | 54 | 23 | 46 | 13 | 30 | 27 | 91 | 24 | 8 | 28 | 660 |

Attention: For a minimum of 50 pieces the diameter $d1$ can be customised (hole tolerance H10 galvanised and H7 black-oxide treated).
Dm = Maximum obtainable diameter for subsequent machining (widening).