

C199



SOLID CONTROL HANDWHEEL WITH FOLDAWAY REVOLVING HANDLE

Materials:

Reinforced and stabilized polyamide. Resistant to oils and greases.

Surface finish:

Satin.

Colour:

Black (RAL 9011).

Central cap:

Grey polyamide (RAL 7035). 13).

Alternative cap colours:

Orange (RAL 2004 code 02).
 Blue (RAL 5015 code 07).
 Yellow (RAL 1021 code 10).
 Red (RAL 3000 code 16).
 Green (RAL 6024 code 17).
 Black (RAL 9011 code 01).

Main insert:

Galvanised steel insert with smooth through bore (tolerance H10).

Lateral handle:

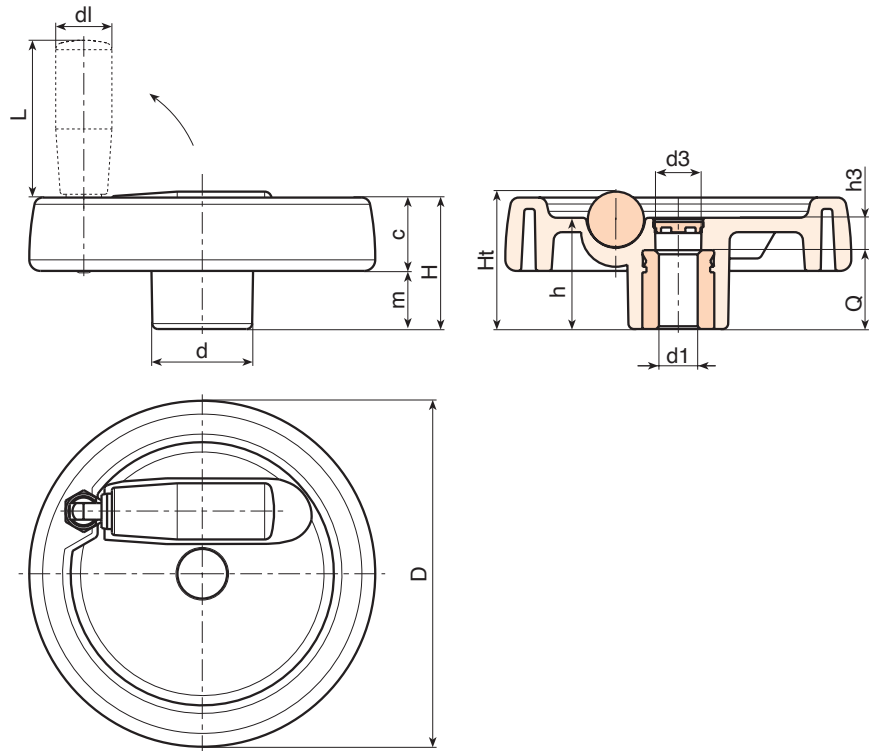
Revolving handle that folds into the handwheel, with hexagonal connection.
 Reinforced polyamide handle. Black-oxide treated internal mechanism. Fixed with black-oxide treated hexagon socket button head screw ISO 7838.

Fixing method:

For fixing systems, or execution of keyways or square holes, please refer to the technical notes attached to the catalogue [page].

Special requests:

- On request and with a minimum of 50 pieces, the inserts can be supplied with the hole d1 with H7 tolerance and black-oxide finish. Add the letters ZB to the standard code. Example: C199125.TD1001PZB.
- Upon request and for special quantities inserts can be supplied with custom hole diameter d1.
- Upon request and for special quantities inserts can be supplied in different materials/with different coatings.
- Upon request and for special quantities handwheels, handles and caps are available in the colours indicated in the chart (attention: reduced range) [page].



Code	Art.	D	H	Ht	h	d	m	c	d3	h3	d1	L	Dm	d1 _{H10}	Q	g
-	C199125.TP0501P	124	48	49.5	40	36	21.5	26.5	15	16	20	38	18	5	24	349
-	C199125.TD0801P	124	48	49.5	40	36	21.5	26.5	15	16	20	38	18	8	24	346
-	C199125.TD1201P	124	48	49.5	40	36	21.5	26.5	15	16	20	38	18	12	24	345
-	C199125.TD1401P	124	48	49.5	40	36	21.5	26.5	15	16	20	38	18	14	24	340
-	C199150.TD0801P	149	53	-	44	38	24.5	28.5	26	12	20	58	22	8	32	500
-	C199150.TD1401P	149	53	-	44	38	24.5	28.5	26	12	20	58	22	14	32	493
-	C199150.TD1601P	149	53	-	44	38	24.5	28.5	26	12	20	58	22	16	32	490
-	C199150.TD2001P	149	53	-	44	38	24.5	28.5	26	12	20	58	22	20	32	488
-	C199175.TD0801P	174	58	-	48	40	24.5	33.5	26	16	26	80	28	8	32	715
-	C199175.TD1601P	174	58	-	48	40	24.5	33.5	26	16	26	80	28	16	32	707
-	C199175.TD2001P	174	58	-	48	40	24.5	33.5	26	16	26	80	28	20	32	695
-	C199200.TD0801P	198	63	-	53	44	24.5	38.5	26	17	27	90	28	8	36	1015
-	C199200.TD2001P	198	63	-	53	44	24.5	38.5	26	17	27	90	28	20	36	990
-	C199250.TD0801P	250	67	-	58	60	29	38	36	22	27	90	28	8	36	1500

Attention: For a minimum of 50 pieces the diameter d1 can be customised (hole tolerance H10 galvanised and H7 black-oxide treated).
 Dm = Maximum obtainable diameter for subsequent machining (widening).