

SOLID CONTROL HANDWHEEL

Materials:

Reinforced and stabilized polyamide.
Resistant to oils and greases.

Surface finish:

Satin.

Colour:

Black (RAL 9011).

Central cap:

Grey polyamide (RAL 7035). 13.

Alternative cap colours:

Orange (RAL 2004 code 02).
Blue (RAL 5015 code 07).
Yellow (RAL 1021 code 10).
Red (RAL 3000 code 16).
Green (RAL 6024 code 17).
Black (RAL 9011 code 01).

Main insert:

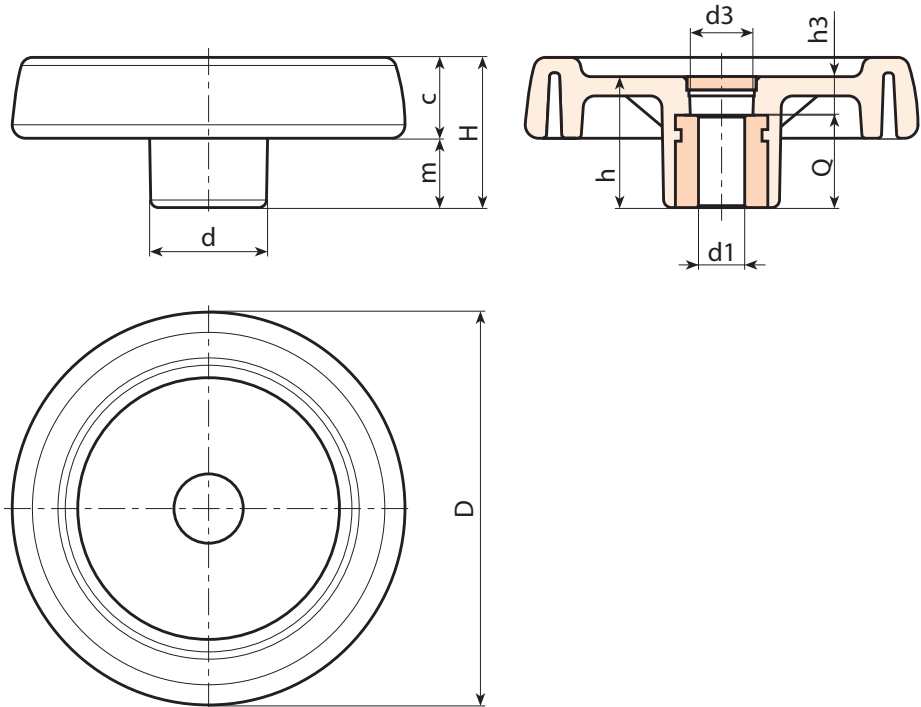
Galvanised steel insert with smooth through bore (tolerance H10).

Fixing method:

For fixing systems, or execution of keyways or square holes, please refer to the technical notes attached to the catalogue [page 966].

Special requests:

- On request and with a minimum of 50 pieces, the inserts can be supplied with the hole d1 with H7 tolerance and black-oxide finish. Add the letters ZB to the standard code. Example: C196100.TD1001PZB.
- Upon request and for special quantities inserts can be supplied with custom hole diameter d1.
- Upon request and for special quantities inserts can be supplied in different materials/with different coatings.
- Upon request and for special quantities handwheels and caps are available in the colours indicated in the chart (attention: reduced range) [page 959].



Code	Art.	D	H	h	d	m	c	d3	h3	Dm	d1 _{H10}	Q	g
C196080.0012	C196080.TP0501P	81	33	29	25	16	17	16	9	12	5	20	100
C196080.0001	C196080.TD0801P	81	33	29	25	16	17	16	9	12	8	20	99
C196080.0005	C196080.TD1001P	81	33	29	25	16	17	16	9	12	10	20	99
C196080.0010	C196080.TD1201P	81	33	29	25	16	17	16	9	12	12	20	98
C196100.0018	C196100.TP0501P	100	39	34	30	18.5	20.5	16	10	16	5	24	192
C196100.0019	C196100.TD0801P	100	39	34	30	18.5	20.5	16	10	16	8	24	190
C196100.0003	C196100.TD1001P	100	39	34	30	18.5	20.5	16	10	16	10	24	187
C196100.0004	C196100.TD1201P	100	39	34	30	18.5	20.5	16	10	16	12	24	185
C196125.0013	C196125.TP0501P	125	44	37	36	20	24	26	13	18	5	24	295
C196125.0004	C196125.TD1201P	125	44	37	36	20	24	26	13	18	12	24	290
C196150.0001	C196150.TD0801P	150	54	44	38	25	29	26	12	22	8	32	520
C196150.0005	C196150.TD1401P	150	54	44	38	25	29	26	12	22	14	32	515
C196175.0002	C196175.TD0801P	173	57	47	40	25.5	31.5	26	15	22	8	32	660
C196200.0001	C196200.TD0801P	202	59	49	44	24	35	27	13	28	8	36	870
C196250.0002	C196250.TD0801P	249	68	58	59	29	39	36	22	28	8	36	1420

Attention: For a minimum of 50 pieces the diameter d1 can be customised (hole tolerance H10 galvanised and H7 black-oxide treated).
Dm = Maximum obtainable diameter for subsequent machining (widening).