

B450



RECESSED HANDLE L. 123mm. WITH REAR CASE AND SCREW MOUNT

Materials:

(1-3) A.B.S. front plate and case

Surface finish:

Satin.

Colour:

Black: (RAL 9011 code 01).

Inserts:

(4) 2 galvanised steel self-tapping screws 2.9.

Panel:

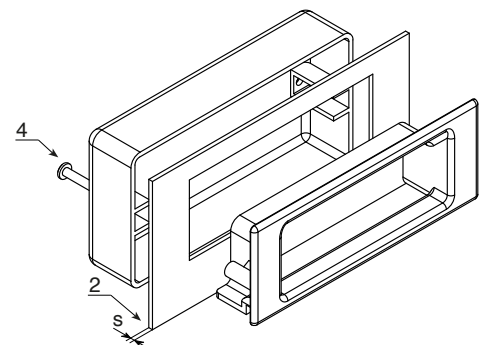
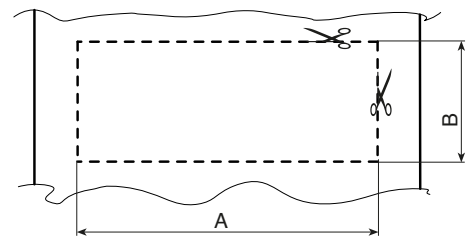
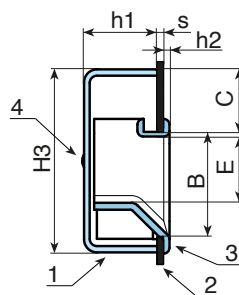
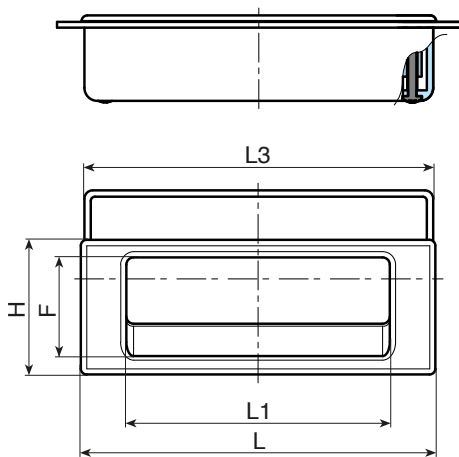
(2) Figurative panel as example.

Special requests:

- None.



02



Code	art.	L	A	B	C	E	F	H	H3	L1	L3	h1	h2	s	g
B450123.0001	B450123.AV101	123	114,5	38	22,7	22,5	37	47	63,5	93	121	26	2,5	1-6,3	58