

B412

KRÓMOZOTT ACÉL KERÉK FOGANTYÚ



C20

UL94
HB



Anyagok:

Jól forgácsolható acélból készült fogantyú.

Felületkikészítés:

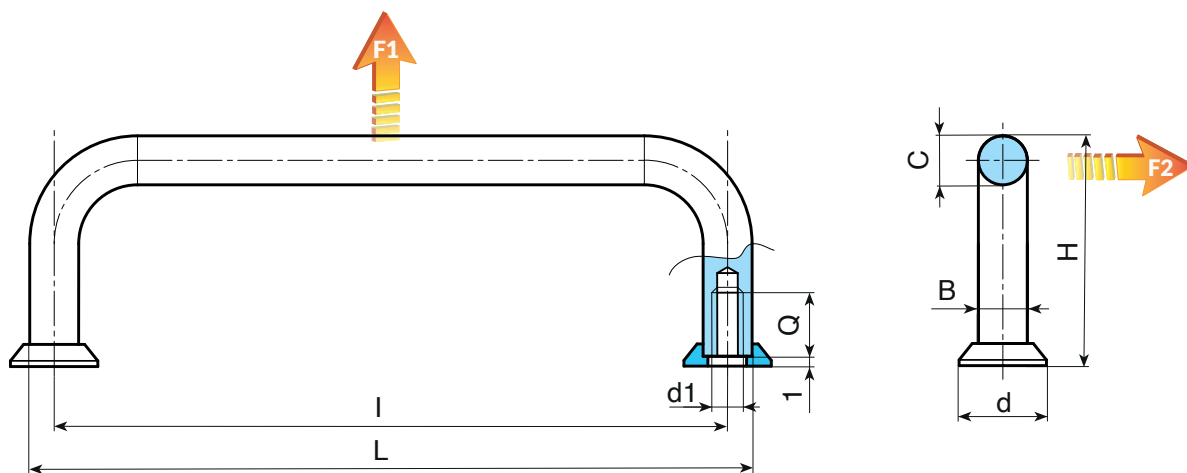
Finom tükörpolírozás.

Szín:

Magasfényű, krómozott.

Speciális kérések:

- Nincs.



Kód	art.	L	I	H	B/C	d	Q	d1	g	F1 (N)	F2 (N)
B412032.0001	B412032.R05M03	37	32	21	5	8	6	M3	8	1000	1000
B412042.0001	B412042.R05M03	47	42	25	5	8	6	M3	10	1000	1000
B412055.0001	B412055.R05M03	60	55	25	5	8	6	M3	13	1000	1000
B412076.0001	B412076.R05M03	81	76	25	5	8	6	M3	15	1000	1000
B412088.0001	B412088.R05M03	93	88	25	5	8	6	M3	18	1000	1000
B412032.0002	B412032.R08M04	40	32	33	8	12.5	8	M4	28	1000	1000
B412055.0002	B412055.R08M04	63	55	33	8	12.5	8	M4	38	1000	1000
B412064.0001	B412064.R08M04	72	64	33	8	12.5	8	M4	41	1000	1000
B412088.0002	B412088.R08M04	96	88	33	8	12.5	8	M4	50	1000	1000
B412096.0001	B412096.R08M04	104	96	33	8	12.5	8	M4	56	1000	1000
B412098.0001	B412098.R08M04	106	98	33	8	12.5	8	M4	57	1000	1000
B412102.0001	B412102.R08M04	110	102	33	8	12.5	8	M4	58	1000	1000
B412120.0001	B412120.R08M04	128	120	33	8	12.5	8	M4	65	1000	1000
B412128.0001	B412128.R08M04	136	128	33	8	12.5	8	M4	68	1000	1000
B412136.0001	B412136.R08M04	144	136	33	8	12.5	8	M4	71	1000	1000
B412055.0003	B412055.R10M05	65	55	41	10	15	10	M5	67	1000	1000
B412088.0003	B412088.R10M05	98	88	41	10	15	10	M5	87	1000	1000
B412100.0001	B412100.R10M05	110	100	41	10	15	10	M5	94	1000	1000
B412102.0002	B412102.R10M05	112	102	41	10	15	10	M5	95	1000	1000
B412115.0001	B412115.R10M05	125	115	41	10	15	10	M5	103	1000	1000
B412120.0002	B412120.R10M05	130	120	41	10	15	10	M5	105	1000	1000
B412136.0002	B412136.R10M05	146	136	41	10	15	10	M5	112	1000	1000
B412180.0001	B412180.R10M05	190	180	41	10	15	10	M5	142	1000	1000
B412200.0001	B412200.R10M05	210	200	41	10	15	10	M5	154	1000	1000
B412235.0001	B412235.R10M05	245	235	41	10	15	10	M5	175	1000	1000
B412250.0001	B412250.R10M05	260	250	41	10	15	10	M5	184	1000	1000