

# B340

## HANDLE WITH CURVED LATERAL TUBE D. 20



### Materials:

#### Plastic end:

Reinforced polyamide. Resistant to oils and greases.

#### Tube:

Aluminum alloy 6060.

### Surface finishes:

#### Plastic end:

Satin.

#### Tube:

Smooth.

### Colour:

#### Plastic end:

Black (Ral 9011).

#### Tube:

Epoxy powder coating.

Version B340-97: Silver (Ral 9007 code 97).

Version B340-98: Marbled black (code 98).

### Hole:

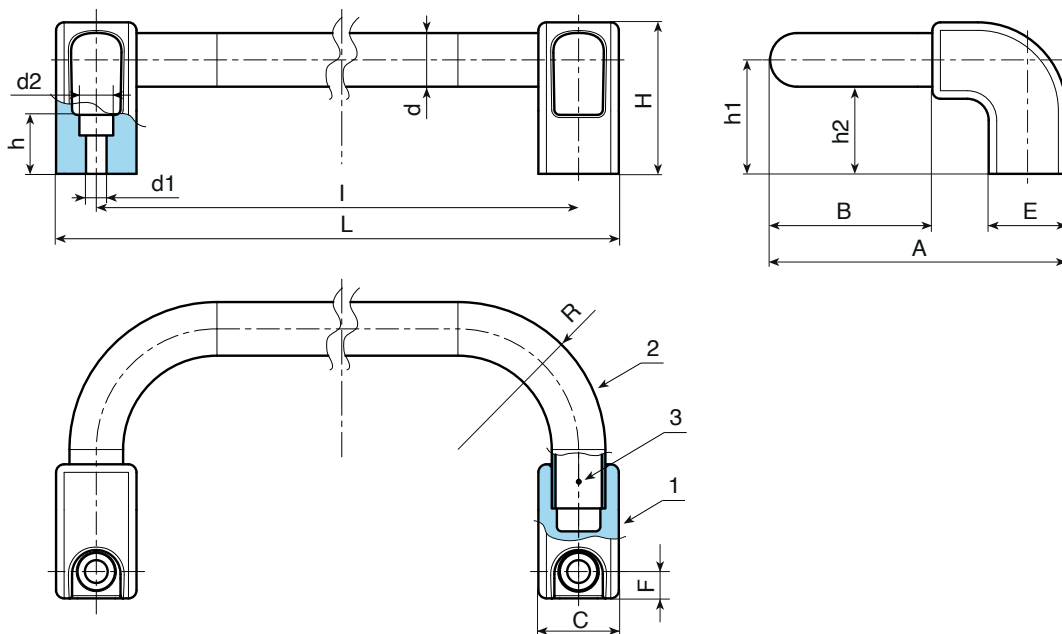
Smooth through hole obtained by moulding the plastic.

### Fixing method:

The tube is fixed to the plastic ends by means of a spring pin (3) in harmonic steel d.6x27, inserted in the lower part of the end.

### Special requests:

- Upon request and for special quantities the handle can be supplied with custom length.
- Upon request screw caps are available.
- Upon request and for special quantities available in the colours indicated in the chart [page].



### B340 - Black marbled painted version code 98

Code	art.	L	l	d	d2	A	B	C	E	F	H	h	h1	h2	R	d1	
B340200.0002	B340200.TG200198	230	200	20	14.5	110.5	60.5	30	29	10	57	19.5	42.5	32.5	55	8.5	158
B340300.0002	B340300.TG200198	330	300	20	14.5	110.5	60.5	30	29	10	57	19.5	42.5	32.5	55	8.5	183
B340500.0002	B340500.TG200198	530	500	20	14.5	110.5	60.5	30	29	10	57	19.5	42.5	32.5	55	8.5	226

### B340 - Silver painted version code 97

Code	art.	l	L	d	d2	A	B	C	E	F	H	h	h1	h2	R	d1	
B340200.0001	B340200.TG200197	200	230	20	14.5	110.5	60.5	30	29	10	57	19.5	42.5	32.5	55	8.5	158
B340300.0001	B340300.TG200197	300	330	20	14.5	110.5	60.5	30	29	10	57	19.5	42.5	32.5	55	8.5	183
B340500.0001	B340500.TG200197	500	530	20	14.5	110.5	60.5	30	29	10	57	19.5	42.5	32.5	55	8.5	226