

# B324

## "EUROMODEL" HANDLE WITH THROUGH HOLE AND CAP



MODELLO DEPOSITATO

### Materials:

Reinforced polyamide.  
Resistant to oils and greases.

### Surface finish:

Satin.

### Colour:

Black (RAL 9011).

### Standard cap:

Grey polyamide cap (RAL 7035 code 13).

### Alternative cap colours:

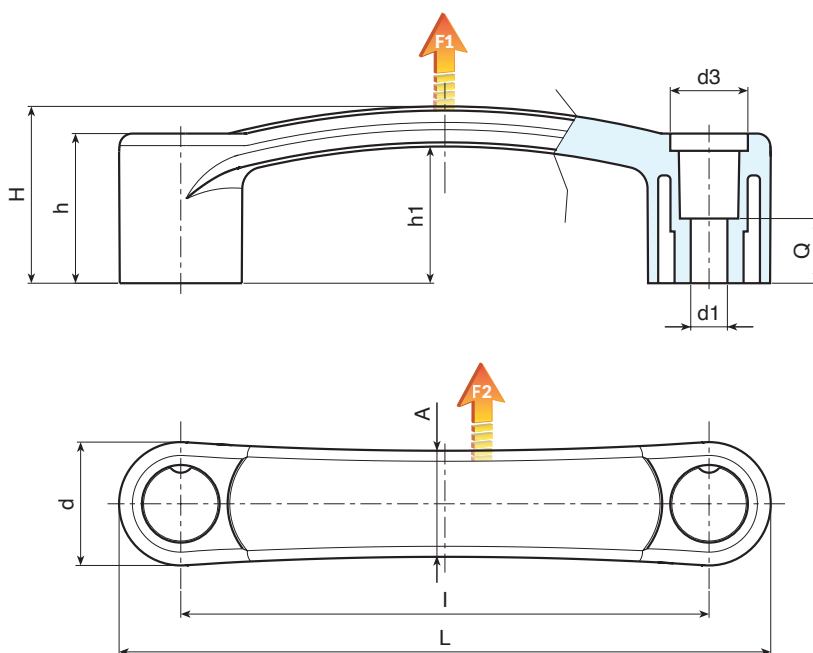
Orange (RAL 2004 code 02).  
Blue (RAL 5015 code 07).  
Yellow (RAL 1021 code 10).  
Red (RAL 3000 code 16).  
Green (RAL 6024 code 17).  
Black (RAL 9011 code 01).

### Hole:

Smooth through hole obtained by moulding the plastic.

### Special requests:

- Upon request and for special quantities available in the colours indicated in the chart [page 959].



Code	art.	L	l	H	h	h1	A	d	d3	Q	d1	g	F1 (N)	F2 (N)
B324094.0003	B324094.TG06.50113	118	94	37	33	30	21	24	16	14	6.5	37	2500	2000
B324117.0006	B324117.TG06.50113	145	117	40.5	34	31.5	24	28	18	15	6.5	58	3700	3500
B324117.0016	B324117.TG08.50113	145	117	40.5	34	31.5	24	28	18	15	8.5	57	3700	3500
B324120.0002	B324120.TG06.50113	148	120	40.5	34	31.5	24	28	18	15	6.5	60	2900	3500
B324120.0011	B324120.TG08.50113	148	120	40.5	34	31.5	24	28	18	15	8.5	59	2900	3500
B324132.0004	B324132.TG08.50113	160	132	43	36.5	34	24	28	18	15	8.5	91	3200	3200