

B228

FIXED HANDLE WITH THREADED STUD



Materials:

Reinforced polyamide.
Resistant to oils and greases.

Surface finish:

Satin.

Colour:

Black (RAL 9011).

Inserts:

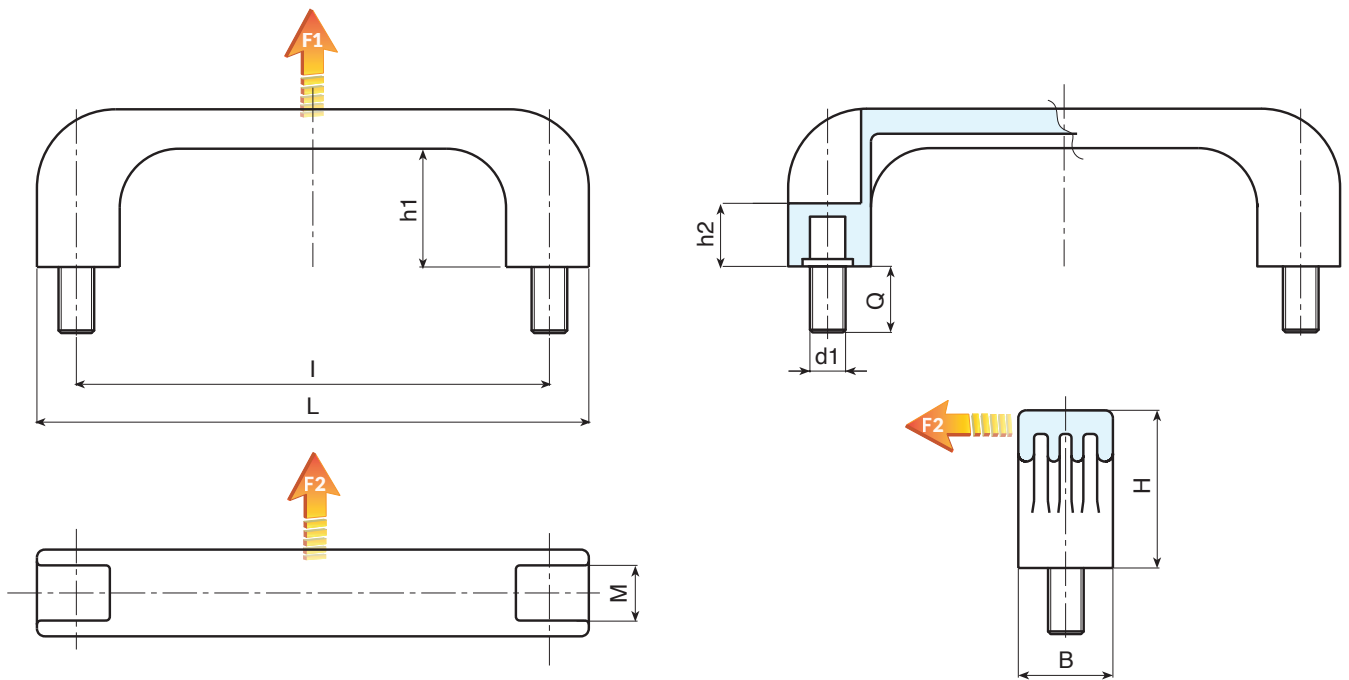
Galvanised steel threaded stud (thread tolerance 6g).

Special requests:

- Upon request and for special quantities inserts can be supplied in different materials.
- Upon request and for special quantities available in the colours indicated in the chart [page].



B



Code	art.	L	I	B	M	H	h1	h2	Q	d1 _{6g}	g	F1 (N)	F2 (N)
B228132.0001	B228132.TM06X1601	151	132	26	14	43	31	16	16	M6	85	3000	2200