

B227

SCHUINE HANDGREEP



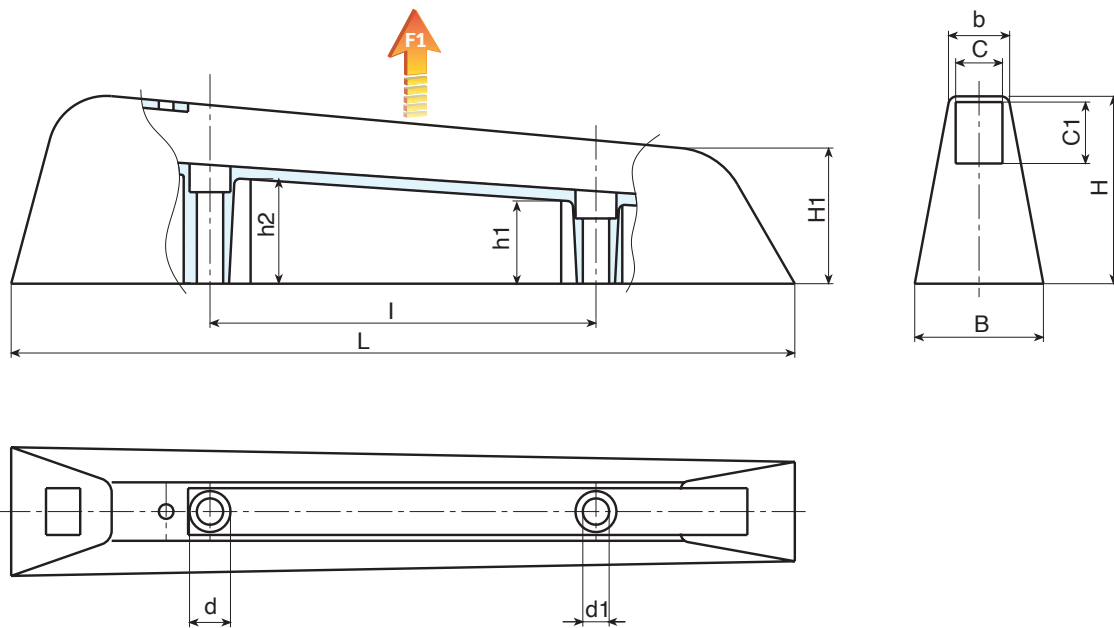
Materiaal:
Versterkt polypropyleen.

Oppervlak:
Gesatineerd.

Kleur:
Zwart (RAL 9011).

Boring:
Doorlopende gladde boring bekomen door vormpersen in plastic.

Speciale verzoeken:
• Geen.



| Code | art. | L | I | B | b | H | H1 | h1 | h2 | C | C1 | d | d1 | g | F1 (N) |
|--------------|--------------------|-----|-----|----|----|----|----|----|----|------|------|----|-----|-----|--------|
| B227132.0001 | B227132.TG08.501PP | 268 | 132 | 44 | 20 | 65 | 46 | 26 | 34 | 15.5 | 20.5 | 14 | 8.5 | 106 | 1540 |