

B224

FIXED HANDLE WITH THROUGH HOLE



Materials:

Reinforced polyamide.
Resistant to oils and greases.

Surface finish:

Satin.

Colour:

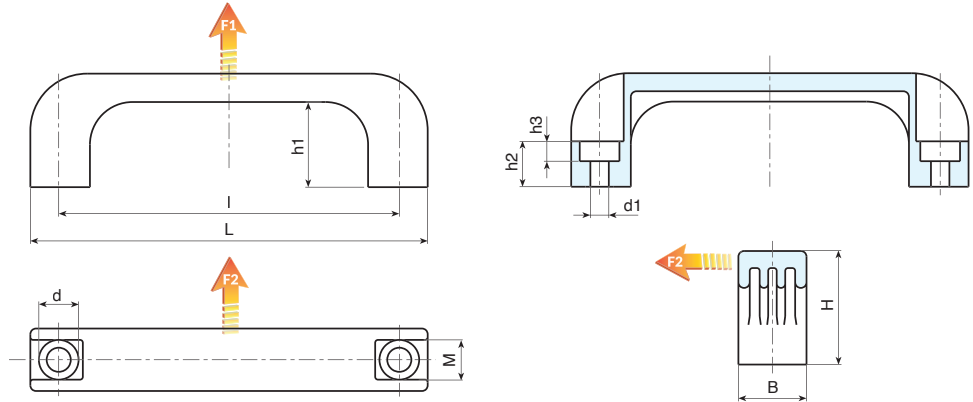
Black: (RAL 9011 code 01).
Orange: (RAL 2004 code 02).
Red: (RAL 3000 code 16).

Hole:

Smooth through hole obtained by moulding the plastic.

Special requests:

- Upon request and for special quantities available in the colours indicated in the chart [page].



B224 - Black handle (RAL 9001 code 01)

Code	art.	L	l	B	M	H	h1	h2	h3	d	d1	g	F1 (N)	F2 (N)
B224094.0002	B224094.TG6.501PP	110	94	21	13	37	29	13	7	11	6.5	22	2500	1251
B224117.0003	B224117.TG6.501PP	140	117	24	13	40	29	15	7	14	6.5	43	4400	3000
B224117.0010	B224117.TG8.501PP	140	117	24	13	40	29	15	9	14	8.5	39	4400	3000
B224120.0003	B224120.TG6.501PP	140	120	24	14	40	29	15	7	14	6.5	42	4800	3200
B224120.0010	B224120.TG8.501PP	140	120	24	14	40	29	15	9	14	8.5	39	4800	3200
B224132.0002	B224132.TG8.501PP	151	132	26	14	43	31	16	9	14	8.5	63	3400	3200
B224180.0003	B224180.TG8.501PP	200	180	28	17	51	39	21	9	14	8.5	74	4000	3000
B224235.0002	B224235.TG10.501PP	262	235	32	20	53	40	21	11	17	10.5	123	3800	3000

B224 - Orange handle (RAL 2004 code 02)

Code	art.	L	l	B	M	H	h1	h2	h3	d	d1	g	F1 (N)	F2 (N)
B224094.0004	B224094.TG6.502PP	110	94	21	13	37	29	13	7	11	6.5	22	2500	1250
B224117.0005	B224117.TG6.502PP	140	117	24	13	40	29	15	7	14	6.5	43	4400	3000
B224117.0016	B224117.TG8.502PP	140	117	24	13	40	29	15	9	14	8.5	39	4400	3000
B224120.0004	B224120.TG6.502PP	140	120	24	14	40	29	15	7	14	6.5	42	4800	3200
B224120.0011	B224120.TG8.502PP	140	120	24	14	40	29	15	9	14	8.5	39	4800	3200
B224132.0003	B224132.TG8.502PP	151	132	26	14	43	31	16	9	14	8.5	63	3400	3200
B224180.0004	B224180.TG8.502PP	200	180	28	17	51	39	21	9	14	8.5	74	4000	3000
B224235.0003	B224235.TG10.502PP	262	235	32	20	53	40	21	11	17	10.5	123	3800	3000

B224 - Red handle (RAL 3000 code 16)

Code	art.	L	l	B	M	H	h1	h2	h3	d	d1	g	F1 (N)	F2 (N)
B224094.0005	B224094.TG6.516PP	110	94	21	13	37	29	13	7	11	6.5	22	2500	1250
B224117.0007	B224117.TG6.516PP	140	117	24	13	40	29	15	7	14	6.5	43	4400	3000
B224117.0020	B224117.TG8.516PP	140	117	24	13	40	29	15	9	14	8.5	39	4400	3000
B224120.0006	B224120.TG6.516PP	140	120	24	14	40	29	15	7	14	6.5	42	4800	3200
B224132.0006	B224132.TG8.516PP	151	132	26	14	43	31	16	9	14	8.5	63	3400	3200
B224180.0005	B224180.TG8.516PP	200	180	28	17	51	39	21	9	14	8.5	74	4000	3000
B224235.0005	B224235.TG10.516PP	262	235	32	20	53	40	21	11	17	10.5	123	3800	3000