

B224

BÜGELGRIF MIT DURCHGANGSBOHRUNG



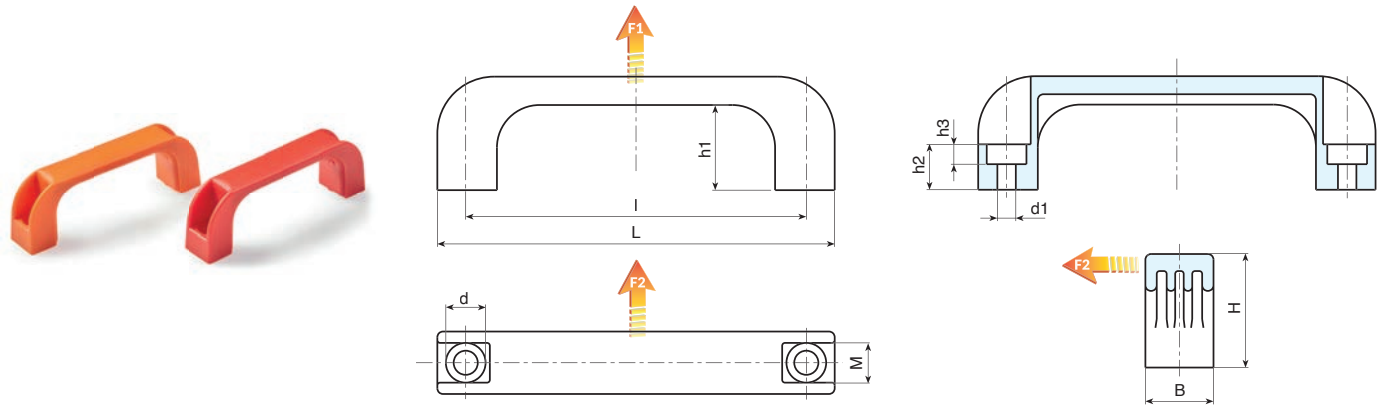
Material:
Polyamid glasfaserverstärkt (PA6+GF).
Öl- und fettbeständig.

Oberfläche:
Matt.

Farbe:
Schwarz: (RAL 9011 Code 01).
Orange: (RAL 2004 Code 02).
Rot: (RAL 3000 Code 16).

Loch:
Durchgangsbohrung, die durch Formung im Kunststoff hergestellt wird.

Weitere Möglichkeiten:
• Individuelle Farben möglich, siehe Farbtabelle [S.].



B224 - Schwarzer Bügelgriff (RAL 9011 Code 01)

| Code | Art. | L | l | B | M | H | h1 | h2 | h3 | d | d1 | g | F1 (N) | F2 (N) |
|--------------|--------------------|-----|-----|----|----|----|----|----|----|----|------|-----|--------|--------|
| B224094.0002 | B224094.TG6.501PP | 110 | 94 | 21 | 13 | 37 | 29 | 13 | 7 | 11 | 6.5 | 22 | 2500 | 1251 |
| B224117.0003 | B224117.TG6.501PP | 140 | 117 | 24 | 13 | 40 | 29 | 15 | 7 | 14 | 6.5 | 43 | 4400 | 3000 |
| B224117.0010 | B224117.TG8.501PP | 140 | 117 | 24 | 13 | 40 | 29 | 15 | 9 | 14 | 8.5 | 39 | 4400 | 3000 |
| B224120.0003 | B224120.TG6.501PP | 140 | 120 | 24 | 14 | 40 | 29 | 15 | 7 | 14 | 6.5 | 42 | 4800 | 3200 |
| B224120.0010 | B224120.TG8.501PP | 140 | 120 | 24 | 14 | 40 | 29 | 15 | 9 | 14 | 8.5 | 39 | 4800 | 3200 |
| B224132.0002 | B224132.TG8.501PP | 151 | 132 | 26 | 14 | 43 | 31 | 16 | 9 | 14 | 8.5 | 63 | 3400 | 3200 |
| B224180.0003 | B224180.TG8.501PP | 200 | 180 | 28 | 17 | 51 | 39 | 21 | 9 | 14 | 8.5 | 74 | 4000 | 3000 |
| B224235.0002 | B224235.TG10.501PP | 262 | 235 | 32 | 20 | 53 | 40 | 21 | 11 | 17 | 10.5 | 123 | 3800 | 3000 |

B224 - Orange Bügelgriff (RAL 2004 Code 02)

| Code | Art. | L | l | B | M | H | h1 | h2 | h3 | d | d1 | g | F1 (N) | F2 (N) |
|--------------|--------------------|-----|-----|----|----|----|----|----|----|----|------|-----|--------|--------|
| B224094.0004 | B224094.TG6.502PP | 110 | 94 | 21 | 13 | 37 | 29 | 13 | 7 | 11 | 6.5 | 22 | 2500 | 1250 |
| B224117.0005 | B224117.TG6.502PP | 140 | 117 | 24 | 13 | 40 | 29 | 15 | 7 | 14 | 6.5 | 43 | 4400 | 3000 |
| B224117.0016 | B224117.TG8.502PP | 140 | 117 | 24 | 13 | 40 | 29 | 15 | 9 | 14 | 8.5 | 39 | 4400 | 3000 |
| B224120.0004 | B224120.TG6.502PP | 140 | 120 | 24 | 14 | 40 | 29 | 15 | 7 | 14 | 6.5 | 42 | 4800 | 3200 |
| B224120.0011 | B224120.TG8.502PP | 140 | 120 | 24 | 14 | 40 | 29 | 15 | 9 | 14 | 8.5 | 39 | 4800 | 3200 |
| B224132.0003 | B224132.TG8.502PP | 151 | 132 | 26 | 14 | 43 | 31 | 16 | 9 | 14 | 8.5 | 63 | 3400 | 3200 |
| B224180.0004 | B224180.TG8.502PP | 200 | 180 | 28 | 17 | 51 | 39 | 21 | 9 | 14 | 8.5 | 74 | 4000 | 3000 |
| B224235.0003 | B224235.TG10.502PP | 262 | 235 | 32 | 20 | 53 | 40 | 21 | 11 | 17 | 10.5 | 123 | 3800 | 3000 |

B224 - Roter Bügelgriff (RAL 3000 Code 16)

| Code | Art. | L | l | B | M | H | h1 | h2 | h3 | d | d1 | g | F1 (N) | F2 (N) |
|--------------|--------------------|-----|-----|----|----|----|----|----|----|----|------|-----|--------|--------|
| B224094.0005 | B224094.TG6.516PP | 110 | 94 | 21 | 13 | 37 | 29 | 13 | 7 | 11 | 6.5 | 22 | 2500 | 1250 |
| B224117.0007 | B224117.TG6.516PP | 140 | 117 | 24 | 13 | 40 | 29 | 15 | 7 | 14 | 6.5 | 43 | 4400 | 3000 |
| B224117.0020 | B224117.TG8.516PP | 140 | 117 | 24 | 13 | 40 | 29 | 15 | 9 | 14 | 8.5 | 39 | 4400 | 3000 |
| B224120.0006 | B224120.TG6.516PP | 140 | 120 | 24 | 14 | 40 | 29 | 15 | 7 | 14 | 6.5 | 42 | 4800 | 3200 |
| B224132.0006 | B224132.TG8.516PP | 151 | 132 | 26 | 14 | 43 | 31 | 16 | 9 | 14 | 8.5 | 63 | 3400 | 3200 |
| B224180.0005 | B224180.TG8.516PP | 200 | 180 | 28 | 17 | 51 | 39 | 21 | 9 | 14 | 8.5 | 74 | 4000 | 3000 |
| B224235.0005 | B224235.TG10.516PP | 262 | 235 | 32 | 20 | 53 | 40 | 21 | 11 | 17 | 10.5 | 123 | 3800 | 3000 |