

B223



FIXED BRIDGE HANDLE WITH SMOOTH THROUGH HOLE

Materials:

Phenolic resin.
Resistant to oils and greases.
Resistant to high temperatures.

Surface finish:

Glossy.

Colour:

Black (RAL 9011).

Hole:

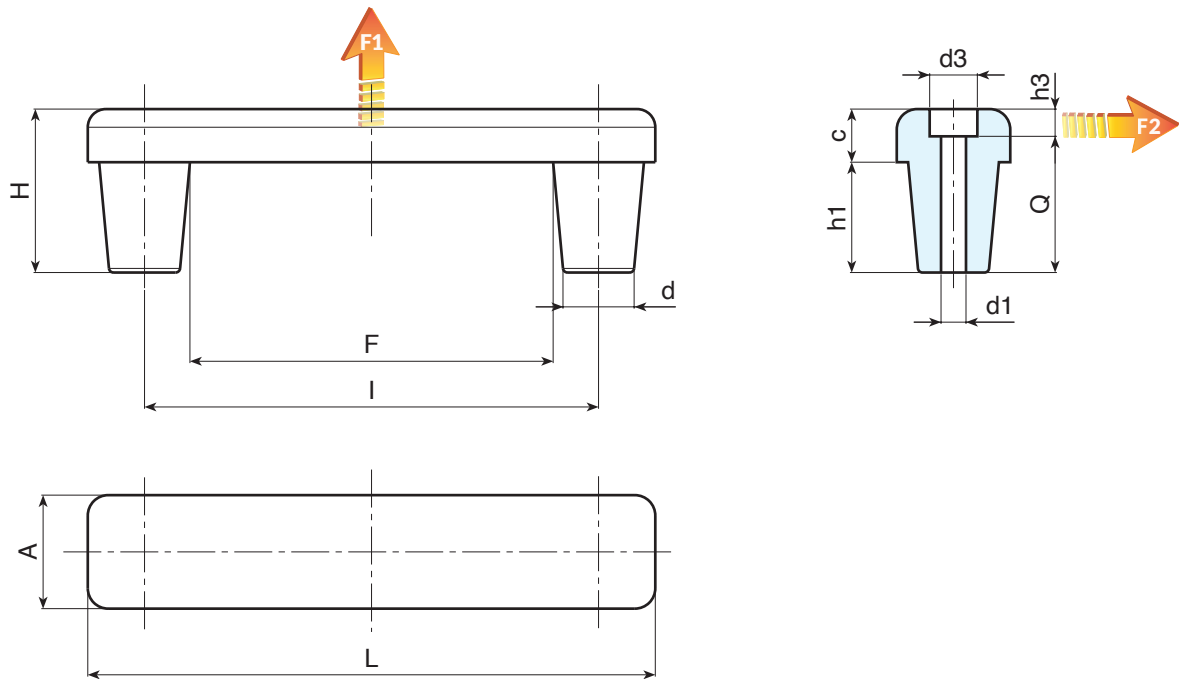
Smooth through hole obtained by moulding the plastic.

Special requests:

- None.



02



| Code | art. | L | I | F | A | H | h1 | h3 | c | d | d3 | d1 | Q | g | F1(N) | F2(N) |
|--------------|-------------------|-----|-----|----|----|----|------|----|------|------|------|-----|----|----|-------|-------|
| B223100.0001 | B223100.BG5.501PP | 125 | 100 | 80 | 25 | 34 | 23.5 | 6 | 10.5 | 15.5 | 10.5 | 5.5 | 30 | 55 | 2000 | 1400 |