

B221

FIXED HANDLE WITH NUT



Materials:

Reinforced polyamide.
Resistant to oils and greases.

Surface finish:

Satin.

Colour:

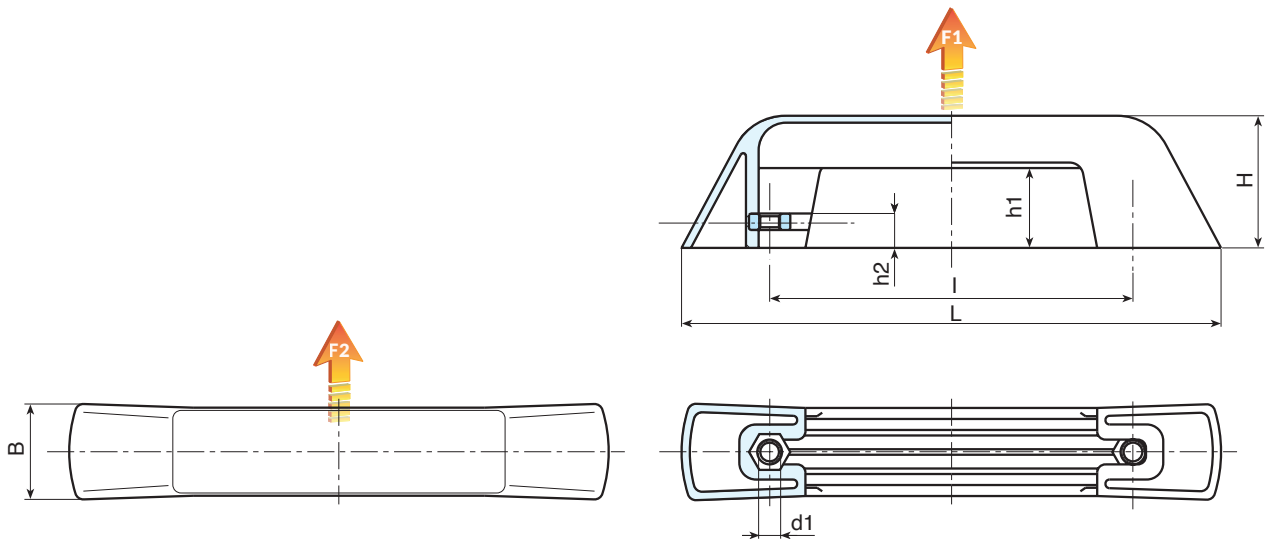
Black (RAL 9011).

Inserts:

Black oxide treated steel nuts DIN 934 - UNI 5588.

Special requests:

- Upon request and for special quantities inserts can be supplied in different materials.
- Upon request and for special quantities available in the colours indicated in the chart [page].



Code	art.	L	l	B	H	h1	h2	d1	g	F1 (N)	F2 (N)
B221132.0001	B221132.TM0801	198	132	34	48	29	12.5	M8	107	6785	3400