

B219



DUROPLAST FIXED BRIDGE HANDLE WITH THREADED BORE INSERT

Materials:

Phenolic resin.
Resistant to oils and greases.
Resistant to high temperatures.

Surface finish:

Glossy.

Colour:

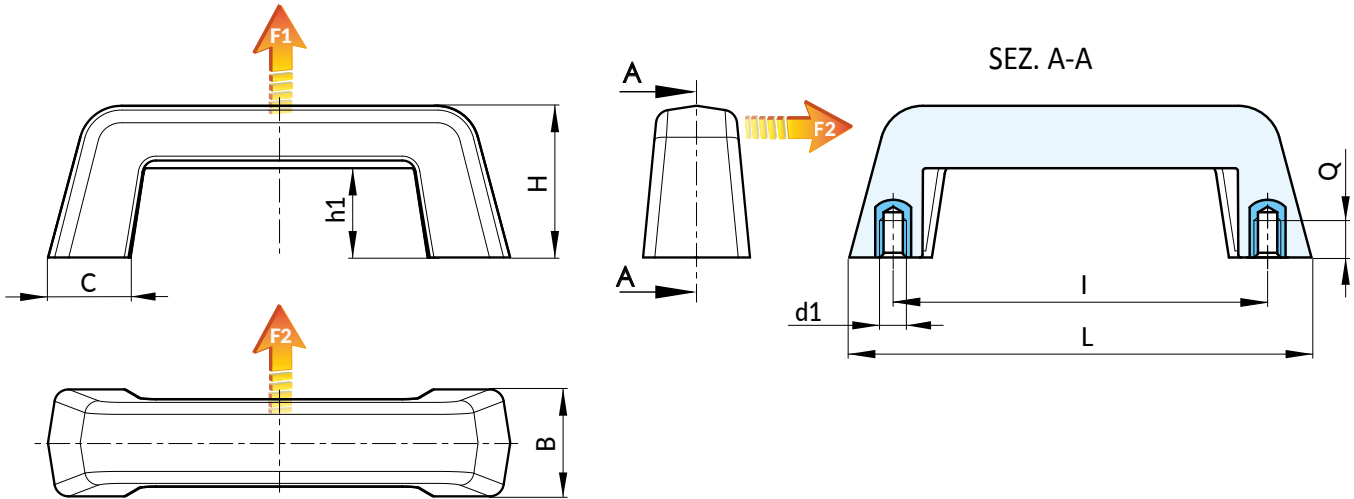
Black (RAL 9011).

Inserts:

Brass insert with female threaded hole (thread tolerance 6H).

Special requests:

- None.



Code	art.	L	I	B	H	h1	C	d1 ^{6H}	Q	g	F1 (N)	F2 (N)
B219110.0001	B219110.BM0501	130	109	32	45	29	21	M5	10	94	800	500
B219110.0002	B219110.BM0601	130	109	32	45	29	21	M6	10	95	800	500
B219132.0001	B219132.BM0801	164	132	38	55	34	30	M8	12	190	1500	850
B219132.0002	B219132.BM1001	164	132	38	55	34	30	M10	18	193	1500	850
B219150.0001	B219150.BM0801	187	150	40	60	43	35	M8	18	217	2000	1000
B219150.0002	B219150.BM1001	187	150	40	60	43	35	M10	18	216	2000	1000