

A594CIN NEW



FULL STAINLESS STEEL INDEXED CLAMPING LEVER WITH THREADED INSERT

INOX

Materials:

Lever body in precision-cast stainless steel (Aisi 304).

Surface finish:

Brushed.

Colour:

Natural.

Inserts:

Stainless steel insert with female threaded hole (Aisi 303) (thread tolerance 6H).

Fixing screw:

Vite in acciaio inox (Aisi 303) con testa chiusa.

Spring:

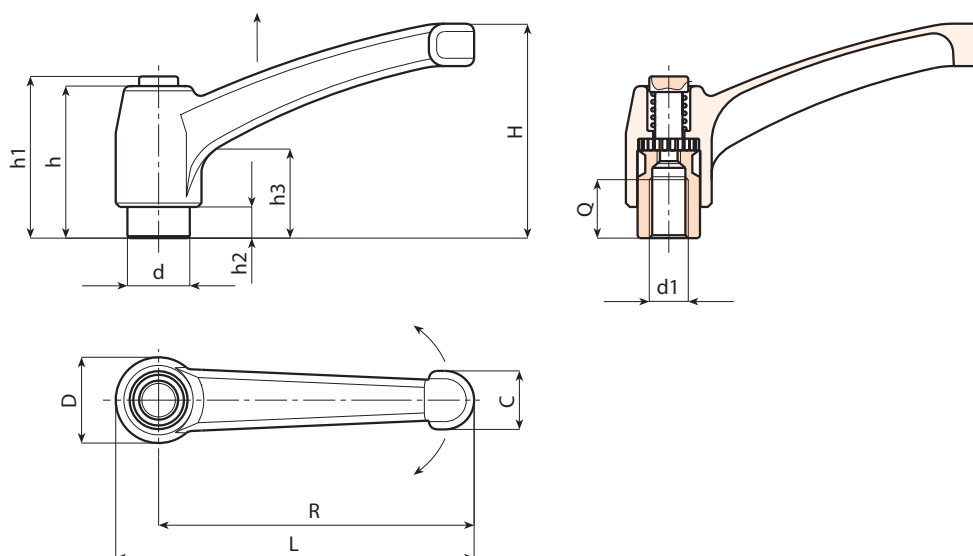
Stainless steel spring (Aisi 302).

Special requests:

- None.



01



INOX

Code	Art.	L	R	H	D	d	c	h	h1	h2	h3	d16H	Q	
A594043.0001	A594043.IM05CIN	50	43	30	14	10	9	26	30	5	14	M5	9	30
A594043.0002	A594043.IM06CIN	50	43	30	14	10	9	26	30	5	14	M6	9	28
A594065.0001	A594065.IM06CIN	75	65	45	19	14	13	32	34	7	14	M6	10	78
A594065.0002	A594065.IM08CIN	75	65	45	19	14	13	32	34	7	14	M8	10	76
A594065.0003	A594065.IM10CIN	75	65	45	19	14	13	32	34	7	14	M10	10	74
A594080.0001	A594080.IM08CIN	91	80	57	22	16	16	40	42	8	16	M8	14	134
A594080.0002	A594080.IM10CIN	91	80	57	22	16	16	40	42	8	16	M10	13	130
A594080.0003	A594080.IM12CIN	91	80	57	22	16	16	40	42	8	16	M12	12	128
A594094.0001	A594094.IM10CIN	107	94	65	26	20	18	47	50	10.5	19	M10	17	191
A594094.0002	A594094.IM12CIN	107	94	65	26	20	18	47	50	10.5	19	M12	17	195
A594094.0003	A594094.IM14CIN	107	94	65	26	20	18	47	50	10.5	19	M14	17	190