

A593

UPDATE



Zamak

UL94
HB



VERSTELBARE SPANGREEP IN ZAMAK MET DRAADEIND

Materiaal:

Greep in gegoten zamak (legering van zink, aluminium, koper).

Oppervlak:

Glad. Epoxy poedercoating.

Kleur greep:

Glanzend zwart (RAL 9005 code 01).
Mat zwart (RAL 9005 code 20).
Oranje (RAL 2004 code 02).
Rood (RAL 3000 code 16).
Zilver (RAL 9006 code 83).
Grijs (RAL 7037 code 80).
Blauw (RAL 5015 code 07).
Ongeverniste greep (code GRE).

Inzetstuk:

Bus met draadeind in gebruieneerd staal (schroefdraad tolerantie 6g).

Bevestigingsschroef:

Schroef in gebruieneerd staal met inbuskop.

Veer:

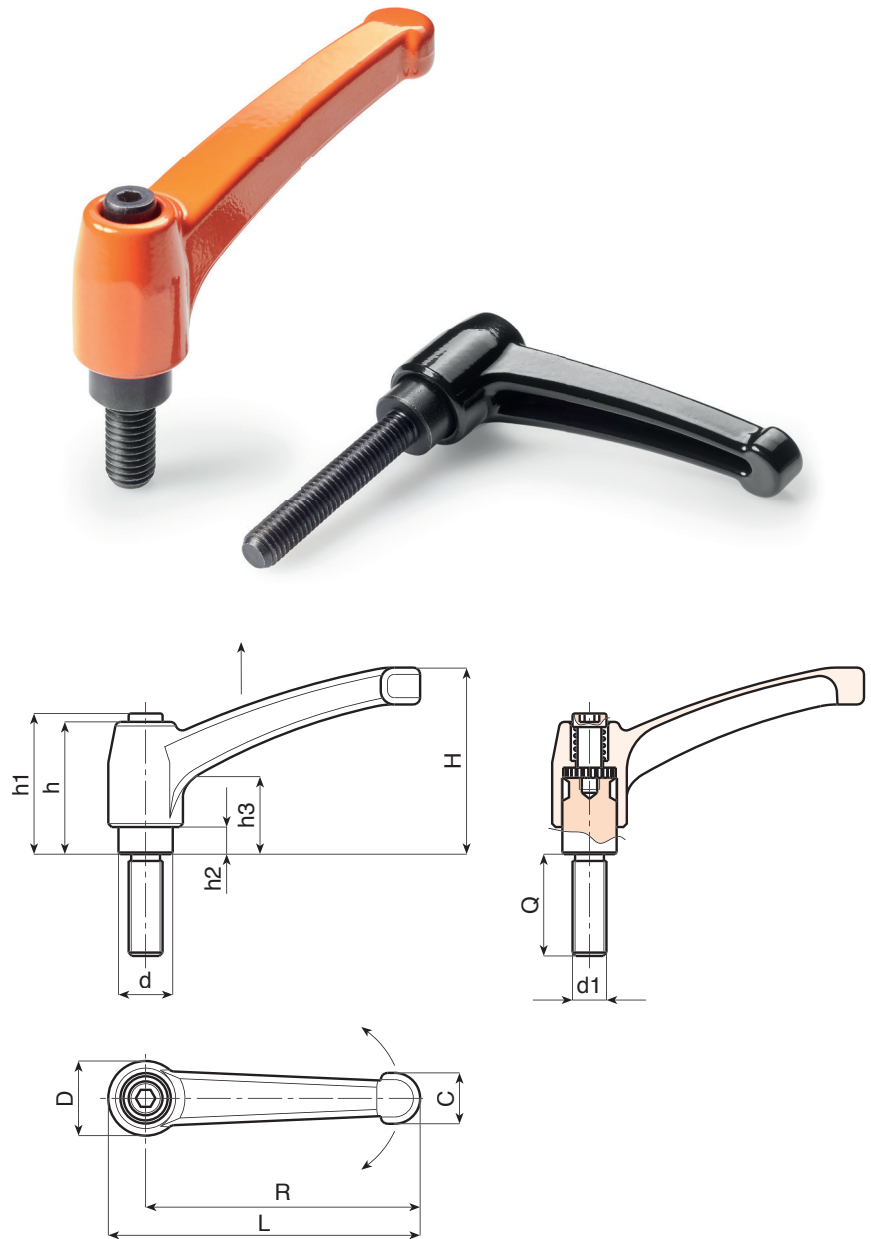
Veer in RVS (AISI 302).

Speciale verzoeken:

- Inzetstukken met gepersonaliseerde lengte op aanvraag leverbaar vanaf 50 stuks.

Opgelet:


Voor lengtes groter dan de maximumlengte LM wordt het draadeind verzinkt en is het bij levering gemonteerd.



Versie 01: Glanzend zwart (Ral 9005)

Code	Art.	L	R	H	D	d	c	h	h1	h2	h3	LM	d16g	Q	
A593043.0003	A593043.ZM04X1601	50	43	30	14	10	9	26	30	5	14	50	M4	16	30
A593043.0006	A593043.ZM04X2001	50	43	30	14	10	9	26	30	5	14	50	M4	20	30
A593043.0009	A593043.ZM04X2501	50	43	30	14	10	9	26	30	5	14	50	M4	25	31
A593043.0011	A593043.ZM04X3001	50	43	30	14	10	9	26	30	5	14	50	M4	30	31
A593043.0016	A593043.ZM05X1601	50	43	30	14	10	9	26	30	5	14	50	M5	16	31
A593043.0022	A593043.ZM05X2001	50	43	30	14	10	9	26	30	5	14	50	M5	20	32
A593043.0032	A593043.ZM05X3001	50	43	30	14	10	9	26	30	5	14	50	M5	30	34
A593043.0039	A593043.ZM05X4001	50	43	30	14	10	9	26	30	5	14	50	M5	40	35
A593043.0042	A593043.ZM06X1601	50	43	30	14	10	9	26	30	5	14	60	M6	16	31
A593043.0050	A593043.ZM06X2001	50	43	30	14	10	9	26	30	5	14	60	M6	20	32
A593043.0057	A593043.ZM06X2501	50	43	30	14	10	9	26	30	5	14	60	M6	25	33
A593043.0063	A593043.ZM06X3001	50	43	30	14	10	9	26	30	5	14	60	M6	30	34
A593043.0073	A593043.ZM06X4001	50	43	30	14	10	9	26	30	5	14	60	M6	40	35
A593043.0076	A593043.ZM06X5001	50	43	30	14	10	9	26	30	5	14	60	M6	50	36
A593043.0087	A593043.ZM08X1601	50	43	30	14	10	9	26	30	5	14	60	M8	16	35
A593043.0089	A593043.ZM08X2501	50	43	30	14	10	9	26	30	5	14	60	M8	25	38
A593043.0095	A593043.ZM08X3001	50	43	30	14	10	9	26	30	5	14	60	M8	30	40
A593043.0098	A593043.ZM08X4001	50	43	30	14	10	9	26	30	5	14	60	M8	40	43
A593043.0103	A593043.ZM08X5001	50	43	30	14	10	9	26	30	5	14	60	M8	50	46

VERSTELBARE SPANGREEP IN ZAMAK MET DRAADEIND

Code	Art.	L	R	H	D	d	c	h	h1	h2	h3	LM	d16g	Q	
A593065.0006	A593065.ZM06X2001	75	65	45	19	14	13	32	34	7	14	60	M6	20	82
A593065.0014	A593065.ZM06X3001	75	65	45	19	14	13	32	34	7	14	60	M6	30	84
A593065.0020	A593065.ZM06X4001	75	65	45	19	14	13	32	34	7	14	60	M6	40	86
A593065.0026	A593065.ZM06X5001	75	65	45	19	14	13	32	34	7	14	60	M6	50	88
A593065.0033	A593065.ZM08X1601	75	65	45	19	14	13	32	34	7	14	60	M8	16	82
A593065.0043	A593065.ZM08X2001	75	65	45	19	14	13	32	34	7	14	60	M8	20	83
A593065.0050	A593065.ZM08X2501	75	65	45	19	14	13	32	34	7	14	60	M8	25	84
A593065.0057	A593065.ZM08X3001	75	65	45	19	14	13	32	34	7	14	60	M8	30	86
A593065.0066	A593065.ZM08X3501	75	65	45	19	14	13	32	34	7	14	60	M8	35	88
A593065.0072	A593065.ZM08X4001	75	65	45	19	14	13	32	34	7	14	60	M8	40	89
A593065.0080	A593065.ZM08X4501	75	65	45	19	14	13	32	34	7	14	60	M8	45	90
A593065.0085	A593065.ZM08X5001	75	65	45	19	14	13	32	34	7	14	60	M8	50	92
A593065.0104	A593065.ZM10X2001	75	65	45	19	14	13	32	34	7	14	60	M10	20	89
A593065.0110	A593065.ZM10X2501	75	65	45	19	14	13	32	34	7	14	60	M10	25	91
A593065.0114	A593065.ZM10X3001	75	65	45	19	14	13	32	34	7	14	60	M10	30	94
A593065.0125	A593065.ZM10X4001	75	65	45	19	14	13	32	34	7	14	60	M10	40	99
A593065.0134	A593065.ZM10X5001	75	65	45	19	14	13	32	34	7	14	60	M10	50	104
A593080.0002	A593080.ZM08X2001	91	80	57	22	16	16	40	42	8	16	60	M8	20	142
A593080.0005	A593080.ZM08X2501	91	80	57	22	16	16	40	42	8	16	60	M8	25	144
A593080.0011	A593080.ZM08X3001	91	80	57	22	16	16	40	42	8	16	60	M8	30	145
A593080.0015	A593080.ZM08X3501	91	80	57	22	16	16	40	42	8	16	60	M8	35	147
A593080.0018	A593080.ZM08X4001	91	80	57	22	16	16	40	42	8	16	60	M8	40	148
A593080.0024	A593080.ZM08X5001	91	80	57	22	16	16	40	42	8	16	60	M8	50	151
A593080.0035	A593080.ZM10X2001	91	80	57	22	16	16	40	42	8	16	60	M10	20	146
A593080.0044	A593080.ZM10X2501	91	80	57	22	16	16	40	42	8	16	60	M10	25	148
A593080.0053	A593080.ZM10X3001	91	80	57	22	16	16	40	42	8	16	60	M10	30	151
A593080.0063	A593080.ZM10X3501	91	80	57	22	16	16	40	42	8	16	60	M10	35	153
A593080.0066	A593080.ZM10X4001	91	80	57	22	16	16	40	42	8	16	60	M10	40	156
A593080.0082	A593080.ZM10X5001	91	80	57	22	16	16	40	42	8	16	60	M10	50	161
A593080.0089	A593080.ZM10X6001	91	80	57	22	16	16	40	42	8	16	60	M10	60	166
A593080.0107	A593080.ZM12X2001	91	80	57	22	16	16	40	42	8	16	70	M12	20	150
A593080.0116	A593080.ZM12X3001	91	80	57	22	16	16	40	42	8	16	70	M12	30	157
A593080.0126	A593080.ZM12X4001	91	80	57	22	16	16	40	42	8	16	70	M12	40	164
A593080.0133	A593080.ZM12X5001	91	80	57	22	16	16	40	42	8	16	70	M12	50	171
A593080.0141	A593080.ZM12X6001	91	80	57	22	16	16	40	42	8	16	70	M12	60	178
A593094.0008	A593094.ZM12X2001	107	94	65	26	20	17.5	47	50	10.5	19	70	M12	20	229
A593094.0015	A593094.ZM12X3001	107	94	65	26	20	17.5	47	50	10.5	19	70	M12	30	236
A593094.0025	A593094.ZM12X4001	107	94	65	26	20	17.5	47	50	10.5	19	70	M12	40	243
A593094.0030	A593094.ZM12X5001	107	94	65	26	20	17.5	47	50	10.5	19	70	M12	50	250
A593094.0043	A593094.ZM14X3001	107	94	65	26	20	17.5	47	50	10.5	19	70	M14	30	240
A593094.0046	A593094.ZM14X3501	107	94	65	26	20	17.5	47	50	10.5	19	70	M14	35	245
A593094.0048	A593094.ZM14X4001	107	94	65	26	20	17.5	47	50	10.5	19	70	M14	40	250
A593094.0052	A593094.ZM14X5001	107	94	65	26	20	17.5	47	50	10.5	19	70	M14	50	260
A593094.0057	A593094.ZM14X6001	107	94	65	26	20	17.5	47	50	10.5	19	70	M14	60	270
A593094.0064	A593094.ZM16X3001	107	94	65	26	20	17.5	47	50	10.5	19	80	M16	30	254
A593094.0066	A593094.ZM16X4001	107	94	65	26	20	17.5	47	50	10.5	19	80	M16	40	266
A593094.0069	A593094.ZM16X5001	107	94	65	26	20	17.5	47	50	10.5	19	80	M16	50	278
A593108.0003	A593108.ZM12X2501	123	108	75	30	23	20	54	56	12	23	80	M12	25	330
A593108.0005	A593108.ZM12X5001	123	108	75	30	23	20	54	56	12	23	80	M12	50	347
A593108.0014	A593108.ZM14X3001	123	108	75	30	23	20	54	56	12	23	80	M14	30	340
A593108.0015	A593108.ZM14X4001	123	108	75	30	23	20	54	56	12	23	80	M14	40	360
A593108.0017	A593108.ZM14X6001	123	108	75	30	23	20	54	56	12	23	80	M14	60	380
A593108.0022	A593108.ZM16X3001	123	108	75	30	23	20	54	56	12	23	80	M16	30	342
A593108.0025	A593108.ZM16X4001	123	108	75	30	23	20	54	56	12	23	80	M16	40	356
A593108.0028	A593108.ZM16X5001	123	108	75	30	23	20	54	56	12	23	80	M16	50	370
A593108.0032	A593108.ZM16X6001	123	108	75	30	23	20	54	56	12	23	80	M16	60	384

Draadeind met gepersonaliseerde lengte op aanvraag leverbaar vanaf 300 stuks.
LM = maximumlengte die kan gedraaid worden.

A593

Versie 20: Mat zwart (Ral 9005)



01

Code	Art.	L	R	H	D	d	c	h	h1	h2	h3	LM	d16g	Q	
A593043.0005	A593043.ZM04X1620	50	43	30	14	10	9	26	30	5	14	50	M4	16	30
A593043.0008	A593043.ZM04X2020	50	43	30	14	10	9	26	30	5	14	50	M4	20	30
A593043.0113	A593043.ZM04X2520	50	43	30	14	10	9	26	30	5	14	50	M4	25	31
A593043.0014	A593043.ZM04X3020	50	43	30	14	10	9	26	30	5	14	50	M4	30	31
A593043.0020	A593043.ZM05X1620	50	43	30	14	10	9	26	30	5	14	50	M5	16	31
A593043.0028	A593043.ZM05X2020	50	43	30	14	10	9	26	30	5	14	50	M5	20	32
A593043.0126	A593043.ZM05X3020	50	43	30	14	10	9	26	30	5	14	50	M5	30	34
A593043.0041	A593043.ZM05X4020	50	43	30	14	10	9	26	30	5	14	50	M5	40	35
A593043.0046	A593043.ZM06X1620	50	43	30	14	10	9	26	30	5	14	60	M6	16	31
A593043.0054	A593043.ZM06X2020	50	43	30	14	10	9	26	30	5	14	60	M6	20	32
A593043.0060	A593043.ZM06X2520	50	43	30	14	10	9	26	30	5	14	60	M6	25	33
A593043.0068	A593043.ZM06X3020	50	43	30	14	10	9	26	30	5	14	60	M6	30	34
A593043.0075	A593043.ZM06X4020	50	43	30	14	10	9	26	30	5	14	60	M6	40	35
A593043.0079	A593043.ZM06X5020	50	43	30	14	10	9	26	30	5	14	60	M6	50	36
A593043.0088	A593043.ZM08X1620	50	43	30	14	10	9	26	30	5	14	60	M8	16	35
A593043.0092	A593043.ZM08X2520	50	43	30	14	10	9	26	30	5	14	60	M8	25	38
A593043.0097	A593043.ZM08X3020	50	43	30	14	10	9	26	30	5	14	60	M8	30	40
A593043.0101	A593043.ZM08X4020	50	43	30	14	10	9	26	30	5	14	60	M8	40	43
A593043.0105	A593043.ZM08X5020	50	43	30	14	10	9	26	30	5	14	60	M8	50	46
A593065.0008	A593065.ZM06X2020	75	65	45	19	14	13	32	34	7	14	60	M6	20	82
A593065.0016	A593065.ZM06X3020	75	65	45	19	14	13	32	34	7	14	60	M6	30	84
A593065.0023	A593065.ZM06X4020	75	65	45	19	14	13	32	34	7	14	60	M6	40	86
A593065.0029	A593065.ZM06X5020	75	65	45	19	14	13	32	34	7	14	60	M6	50	88
A593065.0036	A593065.ZM08X1620	75	65	45	19	14	13	32	34	7	14	60	M8	16	82
A593065.0048	A593065.ZM08X2020	75	65	45	19	14	13	32	34	7	14	60	M8	20	83
A593065.0053	A593065.ZM08X2520	75	65	45	19	14	13	32	34	7	14	60	M8	25	84
A593065.0061	A593065.ZM08X3020	75	65	45	19	14	13	32	34	7	14	60	M8	30	86
A593065.0069	A593065.ZM08X3520	75	65	45	19	14	13	32	34	7	14	60	M8	35	88
A593065.0076	A593065.ZM08X4020	75	65	45	19	14	13	32	34	7	14	60	M8	40	89
A593065.0082	A593065.ZM08X4520	75	65	45	19	14	13	32	34	7	14	60	M8	45	90
A593065.0089	A593065.ZM08X5020	75	65	45	19	14	13	32	34	7	14	60	M8	50	92
A593065.0108	A593065.ZM10X2020	75	65	45	19	14	13	32	34	7	14	60	M10	20	89
A593065.0112	A593065.ZM10X2520	75	65	45	19	14	13	32	34	7	14	60	M10	25	91
A593065.0118	A593065.ZM10X3020	75	65	45	19	14	13	32	34	7	14	60	M10	30	94
A593065.0128	A593065.ZM10X4020	75	65	45	19	14	13	32	34	7	14	60	M10	40	99
A593065.0137	A593065.ZM10X5020	75	65	45	19	14	13	32	34	7	14	60	M10	50	104
A593080.0004	A593080.ZM08X2020	91	80	57	22	16	16	40	42	8	16	60	M8	20	142
A593080.0008	A593080.ZM08X2520	91	80	57	22	16	16	40	42	8	16	60	M8	25	144
A593080.0167	A593080.ZM08X3020	91	80	57	22	16	16	40	42	8	16	60	M8	30	145
A593080.0017	A593080.ZM08X3520	91	80	57	22	16	16	40	42	8	16	60	M8	35	147
A593080.0020	A593080.ZM08X4020	91	80	57	22	16	16	40	42	8	16	60	M8	40	148
A593080.0026	A593080.ZM08X5020	91	80	57	22	16	16	40	42	8	16	60	M8	50	151
A593080.0041	A593080.ZM10X2020	91	80	57	22	16	16	40	42	8	16	60	M10	20	146
A593080.0048	A593080.ZM10X2520	91	80	57	22	16	16	40	42	8	16	60	M10	25	148
A593080.0057	A593080.ZM10X3020	91	80	57	22	16	16	40	42	8	16	60	M10	30	151
A593080.0065	A593080.ZM10X3520	91	80	57	22	16	16	40	42	8	16	60	M10	35	153
A593080.0070	A593080.ZM10X4020	91	80	57	22	16	16	40	42	8	16	60	M10	40	156
A593080.0085	A593080.ZM10X5020	91	80	57	22	16	16	40	42	8	16	60	M10	50	161
A593080.0092	A593080.ZM10X6020	91	80	57	22	16	16	40	42	8	16	60	M10	60	166
A593080.0111	A593080.ZM12X2020	91	80	57	22	16	16	40	42	8	16	70	M12	20	150
A593080.0119	A593080.ZM12X3020	91	80	57	22	16	16	40	42	8	16	70	M12	30	157
A593080.0129	A593080.ZM12X4020	91	80	57	22	16	16	40	42	8	16	70	M12	40	164
A593080.0138	A593080.ZM12X5020	91	80	57	22	16	16	40	42	8	16	70	M12	50	171
A593080.0144	A593080.ZM12X6020	91	80	57	22	16	16	40	42	8	16	70	M12	60	178
A593094.0011	A593094.ZM12X2020	107	94	65	26	20	17.5	47	50	10.5	19	70	M12	20	229
A593094.0018	A593094.ZM12X3020	107	94	65	26	20	17.5	47	50	10.5	19	70	M12	30	236
A593094.0027	A593094.ZM12X4020	107	94	65	26	20	17.5	47	50	10.5	19	70	M12	40	243
A593094.0032	A593094.ZM12X5020	107	94	65	26	20	17.5	47	50	10.5	19	70	M12	50	250
A593094.0100	A593094.ZM14X3020	107	94	65	26	20	17.5	47	50	10.5	19	70	M14	30	240
A593094.0105	A593094.ZM14X3520	107	94	65	26	20	17.5	47	50	10.5	19	70	M14	35	245
A593094.0050	A593094.ZM14X4020	107	94	65	26	20	17.5	47	50	10.5	19	70	M14	40	250
A593094.0055	A593094.ZM14X5020	107	94	65	26	20	17.5	47	50	10.5	19	70	M14	50	260
A593094.0118	A593094.ZM14X6020	107	94	65	26	20	17.5	47	50	10.5	19	70	M14	60	270
A593094.0123	A593094.ZM16X3020	107	94	65	26	20	17.5	47	50	10.5	19	80	M16	30	254
A593094.0068	A593094.ZM16X4020	107	94	65	26	20	17.5	47	50	10.5	19	80	M16	40	266
A593094.0072	A593094.ZM16X5020	107	94	65	26	20	17.5	47	50	10.5	19	80	M16	50	278
A593108.0043	A593108.ZM12X2520	123	108	75	30	23	20	54	56	12	23	80	M12	25	330
A593108.0008	A593108.ZM12X5020	123	108	75	30	23	20	54	56	12	23	80	M12	50	347
A593108.0052	A593108.ZM14X3020	123	108	75	30	23	20	54	56	12	23	80	M14	30	340
A593108.0058	A593108.ZM14X4020	123	108	75	30	23	20	54	56	12	23	80	M14	40	360
A593108.0065	A593108.ZM14X6020	123	108	75	30	23	20	54	56	12	23	80	M14	60	380
A593108.0024	A593108.ZM16X3020	123	108	75	30	23	20	54	56	12	23	80	M16	30	342
A593108.0027	A593108.ZM16X4020	123	108	75	30	23	20	54	56	12	23	80	M16	40	356
A593108.0031	A593108.ZM16X5020	123	108	75	30	23	20	54	56	12	23	80	M16	50	370
A593108.0034	A593108.ZM16X6020	123	108	75	30	23	20	54	56	12	23	80	M16	60	384

Draaieind met gepersonaliseerde lengte op aanvraag leverbaar vanaf 300 stuks.
LM = maximumlengte die kan gedraaid worden.

A593



Versie 02: Oranje (Ral 2004)

Code	Art.	L	R	H	D	d	c	h	h1	h2	h3	LM	d16g	Q	
A593043.0004	A593043.ZM04X1602	50	43	30	14	10	9	26	30	5	14	50	M4	16	30
A593043.0007	A593043.ZM04X2002	50	43	30	14	10	9	26	30	5	14	50	M4	20	30
A593043.0010	A593043.ZM04X2502	50	43	30	14	10	9	26	30	5	14	50	M4	25	31
A593043.0012	A593043.ZM04X3002	50	43	30	14	10	9	26	30	5	14	50	M4	30	31
A593043.0019	A593043.ZM05X1602	50	43	30	14	10	9	26	30	5	14	50	M5	16	31
A593043.0026	A593043.ZM05X2002	50	43	30	14	10	9	26	30	5	14	50	M5	20	32
A593043.0035	A593043.ZM05X3002	50	43	30	14	10	9	26	30	5	14	50	M5	30	34
A593043.0040	A593043.ZM05X4002	50	43	30	14	10	9	26	30	5	14	50	M5	40	35
A593043.0044	A593043.ZM06X1602	50	43	30	14	10	9	26	30	5	14	60	M6	16	31
A593043.0052	A593043.ZM06X2002	50	43	30	14	10	9	26	30	5	14	60	M6	20	32
A593043.0058	A593043.ZM06X2502	50	43	30	14	10	9	26	30	5	14	60	M6	25	33
A593043.0065	A593043.ZM06X3002	50	43	30	14	10	9	26	30	5	14	60	M6	30	34
A593043.0074	A593043.ZM06X4002	50	43	30	14	10	9	26	30	5	14	60	M6	40	35
A593043.0078	A593043.ZM06X5002	50	43	30	14	10	9	26	30	5	14	60	M6	50	36
-	A593043.ZM08X1602	50	43	30	14	10	9	26	30	5	14	60	M8	16	35
A593043.0091	A593043.ZM08X2502	50	43	30	14	10	9	26	30	5	14	60	M8	25	38
A593043.0096	A593043.ZM08X3002	50	43	30	14	10	9	26	30	5	14	60	M8	30	40
A593043.0100	A593043.ZM08X4002	50	43	30	14	10	9	26	30	5	14	60	M8	40	43
A593043.0104	A593043.ZM08X5002	50	43	30	14	10	9	26	30	5	14	60	M8	50	46
A593065.0007	A593065.ZM08X2002	75	65	45	19	14	13	32	34	7	14	60	M6	20	82
A593065.0015	A593065.ZM06X3002	75	65	45	19	14	13	32	34	7	14	60	M6	30	84
A593065.0022	A593065.ZM06X4002	75	65	45	19	14	13	32	34	7	14	60	M6	40	86
A593065.0028	A593065.ZM06X5002	75	65	45	19	14	13	32	34	7	14	60	M6	50	88
A593065.0035	A593065.ZM08X1602	75	65	45	19	14	13	32	34	7	14	60	M8	16	82
A593065.0046	A593065.ZM08X2002	75	65	45	19	14	13	32	34	7	14	60	M8	20	83
A593065.0052	A593065.ZM08X2502	75	65	45	19	14	13	32	34	7	14	60	M8	25	84
A593065.0059	A593065.ZM08X3002	75	65	45	19	14	13	32	34	7	14	60	M8	30	86
A593065.0067	A593065.ZM08X3502	75	65	45	19	14	13	32	34	7	14	60	M8	35	88
A593065.0074	A593065.ZM08X4002	75	65	45	19	14	13	32	34	7	14	60	M8	40	89
A593065.0081	A593065.ZM08X4502	75	65	45	19	14	13	32	34	7	14	60	M8	45	90
A593065.0087	A593065.ZM08X5002	75	65	45	19	14	13	32	34	7	14	60	M8	50	92
A593065.0106	A593065.ZM10X2002	75	65	45	19	14	13	32	34	7	14	60	M10	20	89
A593065.0111	A593065.ZM10X2502	75	65	45	19	14	13	32	34	7	14	60	M10	25	91
A593065.0116	A593065.ZM10X3002	75	65	45	19	14	13	32	34	7	14	60	M10	30	94
A593065.0127	A593065.ZM10X4002	75	65	45	19	14	13	32	34	7	14	60	M10	40	99
A593065.0136	A593065.ZM10X5002	75	65	45	19	14	13	32	34	7	14	60	M10	50	104
A593080.0003	A593080.ZM08X2002	91	80	57	22	16	16	40	42	8	16	60	M8	20	142
A593080.0007	A593080.ZM08X2502	91	80	57	22	16	16	40	42	8	16	60	M8	25	144
A593080.0012	A593080.ZM08X3002	91	80	57	22	16	16	40	42	8	16	60	M8	30	145
A593080.0016	A593080.ZM08X3502	91	80	57	22	16	16	40	42	8	16	60	M8	35	147
A593080.0019	A593080.ZM08X4002	91	80	57	22	16	16	40	42	8	16	60	M8	40	148
A593080.0025	A593080.ZM08X5002	91	80	57	22	16	16	40	42	8	16	60	M8	50	151
A593080.0037	A593080.ZM10X2002	91	80	57	22	16	16	40	42	8	16	60	M10	20	146
A593080.0045	A593080.ZM10X2502	91	80	57	22	16	16	40	42	8	16	60	M10	25	148
A593080.0055	A593080.ZM10X3002	91	80	57	22	16	16	40	42	8	16	60	M10	30	151
A593080.0064	A593080.ZM10X3502	91	80	57	22	16	16	40	42	8	16	60	M10	35	153
A593080.0068	A593080.ZM10X4002	91	80	57	22	16	16	40	42	8	16	60	M10	40	156
A593080.0084	A593080.ZM10X5002	91	80	57	22	16	16	40	42	8	16	60	M10	50	161
A593080.0090	A593080.ZM10X6002	91	80	57	22	16	16	40	42	8	16	60	M10	60	166
A593080.0110	A593080.ZM12X2002	91	80	57	22	16	16	40	42	8	16	70	M12	20	150
A593080.0118	A593080.ZM12X3002	91	80	57	22	16	16	40	42	8	16	70	M12	30	157
A593080.0127	A593080.ZM12X4002	91	80	57	22	16	16	40	42	8	16	70	M12	40	164
A593080.0135	A593080.ZM12X5002	91	80	57	22	16	16	40	42	8	16	70	M12	50	171
A593080.0142	A593080.ZM12X6002	91	80	57	22	16	16	40	42	8	16	70	M12	60	178
A593094.0010	A593094.ZM12X2002	107	94	65	26	20	17.5	47	50	10.5	19	70	M12	20	229
A593094.0017	A593094.ZM12X3002	107	94	65	26	20	17.5	47	50	10.5	19	70	M12	30	236
A593094.0026	A593094.ZM12X4002	107	94	65	26	20	17.5	47	50	10.5	19	70	M12	40	243
A593094.0031	A593094.ZM12X5002	107	94	65	26	20	17.5	47	50	10.5	19	70	M12	50	250
A593094.0045	A593094.ZM14X3002	107	94	65	26	20	17.5	47	50	10.5	19	70	M14	30	240
A593094.0047	A593094.ZM14X3502	107	94	65	26	20	17.5	47	50	10.5	19	70	M14	35	245
A593094.0049	A593094.ZM14X4002	107	94	65	26	20	17.5	47	50	10.5	19	70	M14	40	250
A593094.0054	A593094.ZM14X5002	107	94	65	26	20	17.5	47	50	10.5	19	70	M14	50	260
A593094.0115	A593094.ZM14X6002	107	94	65	26	20	17.5	47	50	10.5	19	70	M14	60	270
A593094.0065	A593094.ZM16X3002	107	94	65	26	20	17.5	47	50	10.5	19	80	M16	30	254
A593094.0067	A593094.ZM16X4002	107	94	65	26	20	17.5	47	50	10.5	19	80	M16	40	266
A593094.0071	A593094.ZM16X5002	107	94	65	26	20	17.5	47	50	10.5	19	80	M16	50	278
A593108.0040	A593108.ZM12X2502	123	108	75	30	23	20	54	56	12	23	80	M12	25	330
A593108.0007	A593108.ZM12X5002	123	108	75	30	23	20	54	56	12	23	80	M12	50	347
A593108.0049	A593108.ZM14X3002	123	108	75	30	23	20	54	56	12	23	80	M14	30	340
A593108.0055	A593108.ZM14X4002	123	108	75	30	23	20	54	56	12	23	80	M14	40	360
A593108.0018	A593108.ZM14X6002	123	108	75	30	23	20	54	56	12	23	80	M14	60	380
A593108.0033	A593108.ZM16X3002	123	108	75	30	23	20	54	56	12	23	80	M16	30	342
A593108.0033	A593108.ZM16X4002	123	108	75	30	23	20	54	56	12	23	80	M16	40	356
A593108.0033	A593108.ZM16X5002	123	108	75	30	23	20	54	56	12	23	80	M16	50	370
A593108.0033	A593108.ZM16X6002	123	108	75	30	23	20	54	56	12	23	80	M16	60	384

Draaieind met gepersonaliseerde lengte op aanvraag leverbaar vanaf 300 stuks.
LM = maximumlengte die kan gedraaid worden.

Versie 80: Grijs (Ral 7037)

Code	Art.	L	R	H	D	d	c	h	h1	h2	h3	LM	d16g	Q	
A593043.0111	A593043.ZM04X1680	50	43	30	14	10	9	26	30	5	14	50	M4	16	30
A593043.0112	A593043.ZM04X2080	50	43	30	14	10	9	26	30	5	14	50	M4	20	30
A593043.0114	A593043.ZM04X2580	50	43	30	14	10	9	26	30	5	14	50	M4	25	31
A593043.0015	A593043.ZM04X3080	50	43	30	14	10	9	26	30	5	14	50	M4	30	31
A593043.0021	A593043.ZM05X1680	50	43	30	14	10	9	26	30	5	14	50	M5	16	31
A593043.0118	A593043.ZM05X2080	50	43	30	14	10	9	26	30	5	14	50	M5	20	32
A593043.0038	A593043.ZM05X3080	50	43	30	14	10	9	26	30	5	14	50	M5	30	34
A593043.0130	A593043.ZM05X4080	50	43	30	14	10	9	26	30	5	14	50	M5	40	35
A593043.0048	A593043.ZM06X1680	50	43	30	14	10	9	26	30	5	14	60	M6	16	31
A593043.0056	A593043.ZM06X2080	50	43	30	14	10	9	26	30	5	14	60	M6	20	32
A593043.0062	A593043.ZM06X2580	50	43	30	14	10	9	26	30	5	14	60	M6	25	33
A593043.0070	A593043.ZM06X3080	50	43	30	14	10	9	26	30	5	14	60	M6	30	34
A593043.0149	A593043.ZM06X4080	50	43	30	14	10	9	26	30	5	14	60	M6	40	35
A593043.0080	A593043.ZM06X5080	50	43	30	14	10	9	26	30	5	14	60	M6	50	36
-	A593043.ZM08X1680	50	43	30	14	10	9	26	30	5	14	60	M8	16	35
A593043.0094	A593043.ZM08X2580	50	43	30	14	10	9	26	30	5	14	60	M8	25	38
-	A593043.ZM08X3080	50	43	30	14	10	9	26	30	5	14	60	M8	30	40
A593043.0102	A593043.ZM08X4080	50	43	30	14	10	9	26	30	5	14	60	M8	40	43
A593043.0106	A593043.ZM08X5080	50	43	30	14	10	9	26	30	5	14	60	M8	50	46
A593065.0009	A593065.ZM06X2080	75	65	45	19	14	13	32	34	7	14	60	M6	20	82
A593065.0163	A593065.ZM06X3080	75	65	45	19	14	13	32	34	7	14	60	M6	30	84
A593065.0167	A593065.ZM06X4080	75	65	45	19	14	13	32	34	7	14	60	M6	40	86
A593065.0171	A593065.ZM06X5080	75	65	45	19	14	13	32	34	7	14	60	M6	50	88
A593065.0178	A593065.ZM08X1680	75	65	45	19	14	13	32	34	7	14	60	M8	16	82
A593065.0184	A593065.ZM08X2080	75	65	45	19	14	13	32	34	7	14	60	M8	20	83
A593065.0055	A593065.ZM08X2580	75	65	45	19	14	13	32	34	7	14	60	M8	25	84
A593065.0063	A593065.ZM08X3080	75	65	45	19	14	13	32	34	7	14	60	M8	30	86
A593065.0070	A593065.ZM08X3580	75	65	45	19	14	13	32	34	7	14	60	M8	35	88
A593065.0078	A593065.ZM08X4080	75	65	45	19	14	13	32	34	7	14	60	M8	40	89
A593065.0083	A593065.ZM08X4580	75	65	45	19	14	13	32	34	7	14	60	M8	45	90
A593065.0206	A593065.ZM08X5080	75	65	45	19	14	13	32	34	7	14	60	M8	50	92
A593065.0209	A593065.ZM10X2080	75	65	45	19	14	13	32	34	7	14	60	M10	20	89
A593065.0211	A593065.ZM10X2580	75	65	45	19	14	13	32	34	7	14	60	M10	25	91
A593065.0121	A593065.ZM10X3080	75	65	45	19	14	13	32	34	7	14	60	M10	30	94
A593065.0220	A593065.ZM10X4080	75	65	45	19	14	13	32	34	7	14	60	M10	40	99
A593065.0138	A593065.ZM10X5080	75	65	45	19	14	13	32	34	7	14	60	M10	50	104
A593080.0161	A593080.ZM08X2080	91	80	57	22	16	16	40	42	8	16	60	M8	20	142
A593080.0010	A593080.ZM08X2580	91	80	57	22	16	16	40	42	8	16	60	M8	25	144
A593080.0014	A593080.ZM08X3080	91	80	57	22	16	16	40	42	8	16	60	M8	30	145
A593080.0171	A593080.ZM08X3580	91	80	57	22	16	16	40	42	8	16	60	M8	35	147
A593080.0175	A593080.ZM08X4080	91	80	57	22	16	16	40	42	8	16	60	M8	40	148
A593080.0027	A593080.ZM08X5080	91	80	57	22	16	16	40	42	8	16	60	M8	50	151
A593080.0183	A593080.ZM10X2080	91	80	57	22	16	16	40	42	8	16	60	M10	20	146
A593080.0052	A593080.ZM10X2580	91	80	57	22	16	16	40	42	8	16	60	M10	25	148
A593080.0060	A593080.ZM10X3080	91	80	57	22	16	16	40	42	8	16	60	M10	30	151
A593080.0198	A593080.ZM10X3580	91	80	57	22	16	16	40	42	8	16	60	M10	35	153
A593080.0073	A593080.ZM10X4080	91	80	57	22	16	16	40	42	8	16	60	M10	40	156
A593080.0087	A593080.ZM10X5080	91	80	57	22	16	16	40	42	8	16	60	M10	50	161
A593080.0094	A593080.ZM10X6080	91	80	57	22	16	16	40	42	8	16	60	M10	60	166
A593080.0212	A593080.ZM12X2080	91	80	57	22	16	16	40	42	8	16	70	M12	20	150
A593080.0120	A593080.ZM12X3080	91	80	57	22	16	16	40	42	8	16	70	M12	30	157
A593080.0130	A593080.ZM12X4080	91	80	57	22	16	16	40	42	8	16	70	M12	40	164
A593080.0140	A593080.ZM12X5080	91	80	57	22	16	16	40	42	8	16	70	M12	50	171
A593080.0224	A593080.ZM12X6080	91	80	57	22	16	16	40	42	8	16	70	M12	60	178
A593094.0083	A593094.ZM12X2080	107	94	65	26	20	17.5	47	50	10.5	19	70	M12	20	229
A593094.0020	A593094.ZM12X3080	107	94	65	26	20	17.5	47	50	10.5	19	70	M12	30	236
A593094.0093	A593094.ZM12X4080	107	94	65	26	20	17.5	47	50	10.5	19	70	M12	40	243
A593094.0033	A593094.ZM12X5080	107	94	65	26	20	17.5	47	50	10.5	19	70	M12	50	250
A593094.0101	A593094.ZM14X3080	107	94	65	26	20	17.5	47	50	10.5	19	70	M14	30	240
A593094.0106	A593094.ZM14X3580	107	94	65	26	20	17.5	47	50	10.5	19	70	M14	35	245
A593094.0110	A593094.ZM14X4080	107	94	65	26	20	17.5	47	50	10.5	19	70	M14	40	250
A593094.0056	A593094.ZM14X5080	107	94	65	26	20	17.5	47	50	10.5	19	70	M14	50	260
A593094.0119	A593094.ZM14X6080	107	94	65	26	20	17.5	47	50	10.5	19	70	M14	60	270
A593094.0124	A593094.ZM16X3080	107	94	65	26	20	17.5	47	50	10.5	19	80	M16	30	254
A593094.0126	A593094.ZM16X4080	107	94	65	26	20	17.5	47	50	10.5	19	80	M16	40	266
A593094.0129	A593094.ZM16X5080	107	94	65	26	20	17.5	47	50	10.5	19	80	M16	50	278
A593108.0044	A593108.ZM12X2580	123	108	75	30	23	20	54	56	12	23	80	M12	25	330
A593108.0047	A593108.ZM12X5080	123	108	75	30	23	20	54	56	12	23	80	M12	50	347
A593108.0053	A593108.ZM14X3080	123	108	75	30	23	20	54	56	12	23	80	M14	30	340
A593108.0059	A593108.ZM14X4080	123	108	75	30	23	20	54	56	12	23	80	M14	40	360
A593108.0066	A593108.ZM14X6080	123	108	75	30	23	20	54	56	12	23	80	M14	60	380
A593108.0070	A593108.ZM16X3080	123	108	75	30	23	20	54	56	12	23	80	M16	30	342
A593108.0074	A593108.ZM16X4080	123	108	75	30	23	20	54	56	12	23	80	M16	40	356
A593108.0078	A593108.ZM16X5080	123	108	75	30	23	20	54	56	12	23	80	M16	50	370
A593108.0082	A593108.ZM16X6080	123	108	75	30	23	20	54	56	12	23	80	M16	60	384

Draaident met gepersonaliseerde lengte op aanvraag leverbaar vanaf 300 stuks.

LM = maximumlengte die kan gedraaid worden.