

A592

UPDATE



INDEXED ZAMAK CLAMPING LEVER WITH THREADED INSERT

Materials:

Lever body in die-cast zamak (zinc, aluminium and copper alloy).

Surface finish:

Smooth. Epoxy powder coating.

Lever body colour:

Glossy black (RAL 9005 cod. 01).
 Matt black (RAL 9005 cod. 20).
 Orange (RAL 2004 code 02).
 Red (RAL 3000 code 16).
 Silver (RAL 9006 cod. 83).
 Grey (RAL 7037 cod. 80).
 Blue (RAL 5015 code 07).
 Untreated lever (code GRE).

Inserts:

Black-oxide treated steel insert with female threaded hole (thread tolerance 6H).

Fixing screw:

Black oxide treated steel screw with hexagon socket head.

Spring:

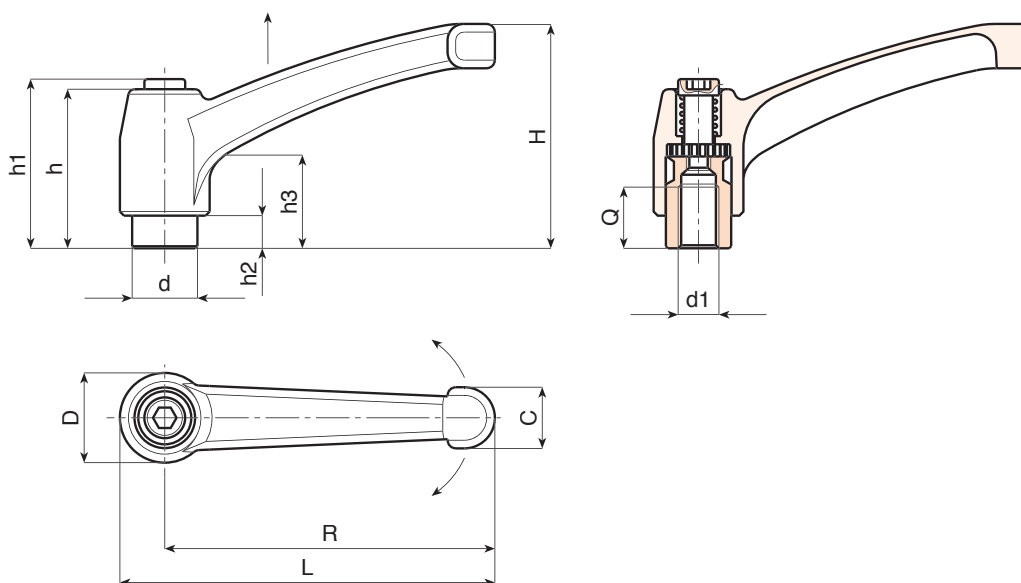
Stainless steel spring (Aisi 302).

Special requests:

- None.



01



Version 01 : Glossy black (Ral 9005)

Code	Art.	L	R	H	D	d	c	h	h1	h2	h3	d16H	Q	g
A592043.0001	A592043.ZM0401	50	43	30	14	10	9	26	30	5	14	M4	7	30
A592043.0005	A592043.ZM0501	50	43	30	14	10	9	26	30	5	14	M5	9	30
A592043.0010	A592043.ZM0601	50	43	30	14	10	9	26	30	5	14	M6	9	28
A592065.0001	A592065.ZM0601	75	65,5	45	19	14	13	32	34	7	14	M6	10	76
A592065.0012	A592065.ZM0801	75	65,5	45	19	14	13	32	34	7	14	M8	12	76
A592065.0025	A592065.ZM1001	75	65,5	45	19	14	13	32	34	7	14	M10	9	73
A592080.0001	A592080.ZM0801	91	80	57	22	16	16	40	42	8	16	M8	14	134
A592080.0013	A592080.ZM1001	91	80	57	22	16	16	40	42	8	16	M10	13	130
A592080.0025	A592080.ZM1201	91	80	57	22	16	16	40	42	8	16	M12	12	128
A592094.0007	A592094.ZM1201	107	94	65	26	20	18	47	50	10,5	19	M12	17	195
A592094.0013	A592094.ZM1401	107	94	65	26	20	18	47	50	10,5	19	M14	17	190
A592094.0019	A592094.ZM1601	107	94	65	26	20	18	47	50	10,5	19	M16	17	188
A592108.0004	A592108.ZM1401	123	108	75	30	23	20	54	56	12	23	M14	26	298
A592108.0008	A592108.ZM1601	123	108	75	30	23	20	54	56	12	23	M16	26	284
A592108.0014	A592108.ZM1801	123	108	75	30	23	20	54	56	12	23	M18	25	270

INDEXED ZAMAK CLAMPING LEVER WITH THREADED INSERT

01

Version 20 : Matt black (Ral 9005)

Code	Art.	L	R	H	D	d	c	h	h1	h2	h3	d16H	Q	
A592043.0003	A592043.ZM0420	50	43	30	14	10	9	26	30	5	14	M4	7	30
A592043.0008	A592043.ZM0520	50	43	30	14	10	9	26	30	5	14	M5	9	30
A592043.0016	A592043.ZM0620	50	43	30	14	10	9	26	30	5	14	M6	9	28
A592065.0006	A592065.ZM0620	75	65	45	19	14	13	32	34	7	14	M6	10	76
A592065.0017	A592065.ZM0820	75	65	45	19	14	13	32	34	7	14	M8	10	76
A592065.0027	A592065.ZM1020	75	65	45	19	14	13	32	34	7	14	M10	9	73
A592080.0008	A592080.ZM0820	91	80	57	22	16	16	40	42	8	16	M8	14	134
A592080.0019	A592080.ZM1020	91	80	57	22	16	16	40	42	8	16	M10	13	130
A592080.0030	A592080.ZM1220	91	80	57	22	16	16	40	42	8	16	M12	12	128
A592094.0010	A592094.ZM1220	107	94	65	26	20	18	47	50	10.5	19	M12	17	195
A592094.0016	A592094.ZM1420	107	94	65	26	20	18	47	50	10.5	19	M14	17	190
A592094.0022	A592094.ZM1620	107	94	65	26	20	18	47	50	10.5	19	M16	17	188
A592108.0006	A592108.ZM1420	123	108	75	30	23	20	54	56	12	23	M14	26	298
A592108.0012	A592108.ZM1620	123	108	75	30	23	20	54	56	12	23	M16	26	284
A592108.0016	A592108.ZM1820	123	108	75	30	23	20	54	56	12	23	M18	25	270

Version 02 : Orange (Ral 2004)

Code	Art.	L	R	H	D	d	c	h	h1	h2	h3	d16H	Q	
A592043.0002	A592043.ZM0402	50	43	30	14	10	9	26	30	5	14	M4	7	30
A592043.0007	A592043.ZM0502	50	43	30	14	10	9	26	30	5	14	M5	9	30
A592043.0012	A592043.ZM0602	50	43	30	14	10	9	26	30	5	14	M6	9	28
A592065.0003	A592065.ZM0602	75	65	45	19	14	13	32	34	7	14	M6	10	76
A592065.0014	A592065.ZM0802	75	65	45	19	14	13	32	34	7	14	M8	10	76
A592065.0026	A592065.ZM1002	75	65	45	19	14	13	32	34	7	14	M10	9	73
A592080.0003	A592080.ZM0802	91	80	57	22	16	16	40	42	8	16	M8	14	134
A592080.0015	A592080.ZM1002	91	80	57	22	16	16	40	42	8	16	M10	13	130
A592080.0027	A592080.ZM1202	91	80	57	22	16	16	40	42	8	16	M12	12	128
A592094.0009	A592094.ZM1202	107	94	65	26	20	18	47	50	10.5	19	M12	17	195
A592094.0015	A592094.ZM1402	107	94	65	26	20	18	47	50	10.5	19	M14	17	190
A592094.0020	A592094.ZM1602	107	94	65	26	20	18	47	50	10.5	19	M16	17	188
A592108.0005	A592108.ZM1402	123	108	75	30	23	20	54	56	12	23	M14	26	298
A592108.0009	A592108.ZM1602	123	108	75	30	23	20	54	56	12	23	M16	26	284
A592108.0015	A592108.ZM1802	123	108	75	30	23	20	54	56	12	23	M18	25	270

Version 80 : Grey (Ral 7037)

Code	Art.	L	R	H	D	d	c	h	h1	h2	h3	d16H	Q	
A592043.0004	A592043.ZM0480	50	43	30	14	10	9	26	30	5	14	M4	7	30
A592043.0009	A592043.ZM0580	50	43	30	14	10	9	26	30	5	14	M5	9	30
A592043.0018	A592043.ZM0680	50	43	30	14	10	9	26	30	5	14	M6	9	28
A592065.0008	A592065.ZM0680	75	65	45	19	14	13	32	34	7	14	M6	10	76
A592065.0019	A592065.ZM0880	75	65	45	19	14	13	32	34	7	14	M8	10	76
A592065.0028	A592065.ZM1080	75	65	45	19	14	13	32	34	7	14	M10	9	73
A592080.0010	A592080.ZM0880	91	80	57	22	16	16	40	42	8	16	M8	14	134
A592080.0022	A592080.ZM1020	91	80	57	22	16	16	40	42	8	16	M10	13	130
A592080.0031	A592080.ZM1280	91	80	57	22	16	16	40	42	8	16	M12	12	128
A592094.0012	A592094.ZM1280	107	94	65	26	20	18	47	50	10.5	19	M12	17	195
A592094.0017	A592094.ZM1480	107	94	65	26	20	18	47	50	10.5	19	M14	17	190
A592094.0023	A592094.ZM1680	107	94	65	26	20	18	47	50	10.5	19	M16	17	188
A592108.0007	A592108.ZM1480	123	108	75	30	23	20	54	56	12	23	M14	26	298
A592108.0013	A592108.ZM1680	123	108	75	30	23	20	54	56	12	23	M16	26	284
A592108.0017	A592108.ZM1880	123	108	75	30	23	20	54	56	12	23	M18	25	270