

A583CIN



“EUROMODEL” INDEXED CLAMPING LEVER WITH BUTTON AND STAINLESS STEEL THREADED STUD



Materials:

Special technopolymer reinforced with high-strength glass fiber.
Resistant to oils and greases.

Surface finish:

Satin.

Lever body and insert colour:

Black (RAL 9011).

Inserts:

Stainless steel threaded stud (Aisi 303) (thread tolerance 6g).

Button:

Black polyamide button (RAL 9011).

Spring:

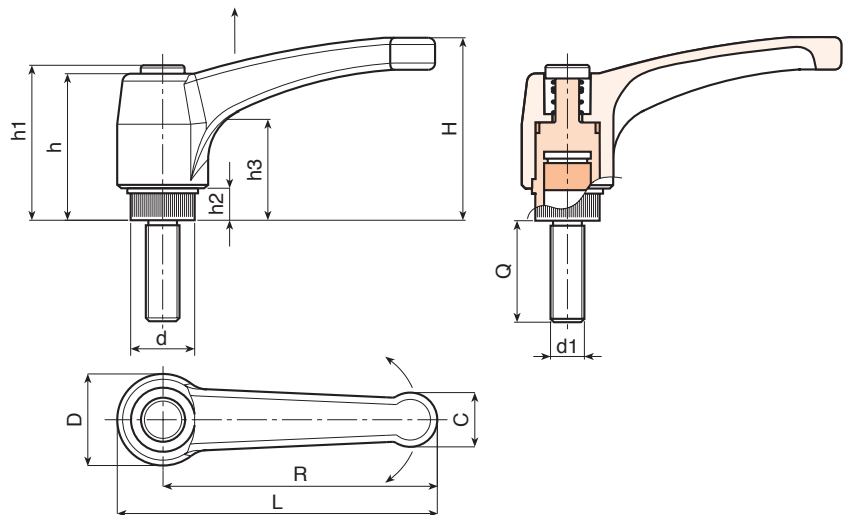
Stainless steel spring (Aisi 302).

Alternative lever body and button colours:

Orange (RAL 2004 code 02).
Blue (RAL 5015 code 07).
Yellow (RAL 1021 code 10).
Red (RAL 3000 code 16).
Green (RAL 6024 code 17).
Grey (RAL 7035 cod. 13).

Special requests:

- Upon request and for special quantities inserts can be supplied with customised lengths.
- Upon request and for special quantities available in the colours indicated in the chart (attention: reduced range) [page 959].



Code	Art.	L	R	H	D	d	c	h	h1	h2	h3	LM	d1 _{6g}	Q	
A583043.0005	A583043.TM04X1601CIN	51	43	33	17	11.5	9	29	32	6	18	75	M4	16	12
A583043.0010	A583043.TM04X2001CIN	51	43	33	17	11.5	9	29	32	6	18	75	M4	20	13
A583043.0015	A583043.TM04X3001CIN	51	43	33	17	11.5	9	29	32	6	18	75	M4	30	14
A583043.0026	A583043.TM05X1601CIN	51	43	33	17	11.5	9	29	32	6	18	75	M5	16	12
A583043.0033	A583043.TM05X2001CIN	51	43	33	17	11.5	9	29	32	6	18	75	M5	20	14
A583043.0038	A583043.TM05X3001CIN	51	43	33	17	11.5	9	29	32	6	18	75	M5	30	15
A583043.0058	A583043.TM06X1601CIN	51	43	33	17	11.5	9	29	32	6	18	75	M6	16	17
A583043.0075	A583043.TM06X2001CIN	51	43	33	17	11.5	9	29	32	6	18	75	M6	20	18
A583043.0094	A583043.TM06X3001CIN	51	43	33	17	11.5	9	29	32	6	18	75	M6	30	20
A583052.0004	A583052.TM06X1601CIN	63	52	41	22	15	12	36	40	8	23	90	M6	16	25
A583052.0008	A583052.TM06X2001CIN	63	52	41	22	15	12	36	40	8	23	90	M6	20	26
A583052.0016	A583052.TM06X3001CIN	63	52	41	22	15	12	36	40	8	23	90	M6	30	28
A583052.0021	A583052.TM06X4001CIN	63	52	41	22	15	12	36	40	8	23	90	M6	40	30
A583052.0035	A583052.TM08X1601CIN	63	52	41	22	15	12	36	40	8	23	90	M8	16	27
A583052.0042	A583052.TM08X2001CIN	63	52	41	22	15	12	36	40	8	23	90	M8	20	28
A583052.0059	A583052.TM08X3001CIN	63	52	41	22	15	12	36	40	8	23	90	M8	30	31
A583052.0065	A583052.TM08X4001CIN	63	52	41	22	15	12	36	40	8	23	90	M8	40	33
A583052.0079	A583052.TM10X1601CIN	63	52	41	22	15	12	36	40	8	23	90	M10	16	33
A583052.0082	A583052.TM10X2001CIN	63	52	41	22	15	12	36	40	8	23	90	M10	20	35

A583CIN

“EUROMODEL” INDEXED CLAMPING LEVER WITH BUTTON AND STAINLESS STEEL THREADED STUD



01

Code	Art.	L	R	H	D	d	c	h	h1	h2	h3	LM	d16g	Q	
A583052.0090	A583052.TM10X3001CIN	63	52	41	22	15	12	36	40	8	23	90	M10	30	40
A583052.0093	A583052.TM10X4001CIN	63	52	41	22	15	12	36	40	8	23	90	M10	40	45
-	A583065.TM06X1601CIN	76	65	43	23	15	13	36	40	8	24	90	M6	16	28
A583065.0006	A583065.TM06X2001CIN	76	65	43	23	15	13	36	40	8	24	90	M6	20	29
A583065.0010	A583065.TM06X3001CIN	76	65	43	23	15	13	36	40	8	24	90	M6	30	31
A583065.0017	A583065.TM06X4001CIN	76	65	43	23	15	13	36	40	8	24	90	M6	40	32,5
A583065.0028	A583065.TM08X1601CIN	76	65	43	23	15	13	36	40	8	24	90	M8	16	33
A583065.0040	A583065.TM08X2001CIN	76	65	43	23	15	13	36	40	8	24	90	M8	20	35
A583065.0057	A583065.TM08X3001CIN	76	65	43	23	15	13	36	40	8	24	90	M8	30	38
A583065.0072	A583065.TM08X4001CIN	76	65	43	23	15	13	36	40	8	24	90	M8	40	41
A583065.0091	A583065.TM10X1601CIN	76	65	43	23	15	13	36	40	8	24	90	M10	16	39
A583065.0095	A583065.TM10X2001CIN	76	65	43	23	15	13	36	40	8	24	90	M10	20	41
A583065.0102	A583065.TM10X3001CIN	76	65	43	23	15	13	36	40	8	24	90	M10	30	46
A583065.0108	A583065.TM10X4001CIN	76	65	43	23	15	13	36	40	8	24	90	M10	40	51
A583080.0002	A583080.TM08X5001CIN	93	80	54	27	19	15,5	44	48	8,5	29	90	M8	16	46
A583080.0007	A583080.TM08X2001CIN	93	80	54	27	19	15,5	44	48	8,5	29	90	M8	20	49
A583080.0013	A583080.TM08X3001CIN	93	80	54	27	19	15,5	44	48	8,5	29	90	M8	30	51
A583080.0021	A583080.TM08X4001CIN	93	80	54	27	19	15,5	44	48	8,5	29	90	M8	40	54
A583080.0025	A583080.TM08X5001CIN	93	80	54	27	19	15,5	44	48	8,5	29	90	M8	50	57
A583080.0039	A583080.TM10X2001CIN	93	80	54	27	19	15,5	44	48	8,5	29	90	M10	20	56
A583080.0054	A583080.TM10X3001CIN	93	80	54	27	19	15,5	44	48	8,5	29	90	M10	30	61
A583080.0064	A583080.TM10X4001CIN	93	80	54	27	19	15,5	44	48	8,5	29	90	M10	40	66
A583080.0071	A583080.TM10X5001CIN	93	80	54	27	19	15,5	44	48	8,5	29	90	M10	50	71
A583080.0096	A583080.TM12X2001CIN	93	80	54	27	19	15,5	44	48	8,5	29	90	M12	20	68
A583080.0107	A583080.TM12X3001CIN	93	80	54	27	19	15,5	44	48	8,5	29	90	M12	30	75
A583080.0116	A583080.TM12X4001CIN	93	80	54	27	19	15,5	44	48	8,5	29	90	M12	40	82
A583080.0120	A583080.TM12X5001CIN	93	80	54	27	19	15,5	44	48	8,5	29	90	M12	50	89
A583094.0052	A583094.TM08X2001CIN	109	94	56	30	19	18	45	49	9	30	90	M8	20	52
A583094.0053	A583094.TM08X3001CIN	109	94	56	30	19	18	45	49	9	30	90	M8	30	55
A583094.0054	A583094.TM08X4001CIN	109	94	56	30	19	18	45	49	9	30	90	M8	40	58
A583094.0055	A583094.TM08X5001CIN	109	94	56	30	19	18	45	49	9	30	90	M8	50	61
A583094.0011	A583094.TM10X2001CIN	109	94	56	30	19	18	45	49	9	30	90	M10	20	63
A583094.0019	A583094.TM10X3001CIN	109	94	56	30	19	18	45	49	9	30	90	M10	30	68
A583094.0024	A583094.TM10X4001CIN	109	94	56	30	19	18	45	49	9	30	90	M10	40	73
A583094.0026	A583094.TM10X5001CIN	109	94	56	30	19	18	45	49	9	30	90	M10	50	78
A583094.0033	A583094.TM12X2001CIN	109	94	56	30	19	18	45	49	9	30	90	M12	20	75
A583094.0038	A583094.TM12X3001CIN	109	94	56	30	19	18	45	49	9	30	90	M12	30	82
A583094.0042	A583094.TM12X4001CIN	109	94	56	30	19	18	45	49	9	30	90	M12	40	89
A583094.0045	A583094.TM12X5001CIN	109	94	56	30	19	18	45	49	9	30	90	M12	50	96
A583108.0002	A583108.TM12X2001CIN	125	108	64	34	24	21	51	55	10	35	100	M12	20	103
A583108.0006	A583108.TM12X3001CIN	125	108	64	34	24	21	51	55	10	35	100	M12	30	110
A583108.0008	A583108.TM12X4001CIN	125	108	64	34	24	21	51	55	10	35	100	M12	40	117
A583108.0012	A583108.TM12X5001CIN	125	108	64	34	24	21	51	55	10	35	100	M12	50	124
A583108.0016	A583108.TM14X2001CIN	125	108	64	34	24	21	51	55	10	35	100	M14	20	109
A583108.0018	A583108.TM14X3001CIN	125	108	64	34	24	21	51	55	10	35	100	M14	30	116
A583108.0021	A583108.TM14X4001CIN	125	108	64	34	24	21	51	55	10	35	100	M14	40	123
A583108.0023	A583108.TM14X5001CIN	125	108	64	34	24	21	51	55	10	35	100	M14	50	136
A583108.0025	A583108.TM16X2001CIN	125	108	64	34	24	21	51	55	10	35	100	M16	20	127
A583108.0026	A583108.TM16X3001CIN	125	108	64	34	24	21	51	55	10	35	100	M16	30	139
A583108.0028	A583108.TM16X4001CIN	125	108	64	34	24	21	51	55	10	35	100	M16	40	151
A583108.0030	A583108.TM16X5001CIN	125	108	64	34	24	21	51	55	10	35	100	M16	50	163

Customised stud length available for a minimum of 50 pieces.
LM = Maximum mouldable length.

