

# A582CIN



INOX

## “EUROMODEL” INDEXED CLAMPING LEVER WITH BUTTON AND STAINLESS STEEL THREADED INSERT

### Materials:

Special technopolymer reinforced with high-strength glass fiber.  
Resistant to oils and greases.

### Surface finish:

Satin.

### Lever body and insert colour:

Black (RAL 9011).

### Inserts:

Stainless steel insert with female threaded hole (Aisi 303) (thread tolerance 6H).

### Button:

Black polyamide button (RAL 9011).

### Spring:

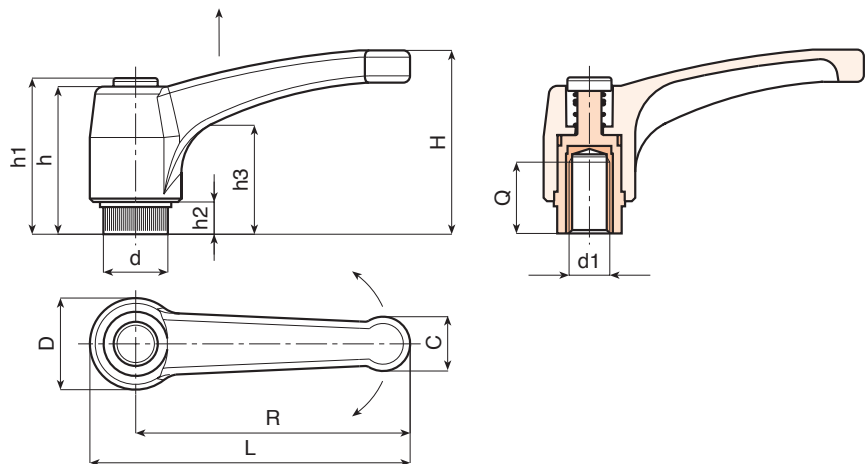
Stainless steel spring (Aisi 302).

### Alternative lever body and button colours:

Orange (RAL 2004 code 02).  
Blue (RAL 5015 code 07).  
Yellow (RAL 1021 code 10).  
Red (RAL 3000 code 16).  
Green (RAL 6024 code 17).  
Grey (RAL 7035 cod. 13).

### Special requests:

- Upon request and for special quantities available in the colours indicated in the chart (attention: reduced range) [page 959].



INOX

Code	Art.	L	R	H	D	d	c	h	h1	h2	h3	d16H	Q	
A582043.0003	A582043.TM0401CIN	51	43	33	17	11.5	9	29	32	6	18	M4	8	15
A582043.0010	A582043.TM0501CIN	51	43	33	17	11.5	9	29	32	6	18	M5	10	15
A582043.0019	A582043.TM0601CIN	51	43	33	17	11.5	9	29	32	6	18	M6	10	14
A582052.0004	A582052.TM0601CIN	63	52	41	22	15	12	36	40	8	23	M6	14	31
A582052.0012	A582052.TM0801CIN	63	52	41	22	15	12	36	40	8	23	M8	14	30
A582065.0004	A582065.TM0601CIN	76	65	43	23	15	13	36	40	8	24	M6	14	36
A582065.0014	A582065.TM0801CIN	76	65	43	23	15	13	36	40	8	24	M8	14	35
A582080.0007	A582080.TM0801CIN	93	80	54	27	19	15.5	44	48	8.5	29	M8	19	55
A582080.0023	A582080.TM1001CIN	93	80	54	27	19	15.5	44	48	8.5	29	M10	19	54
A582080.0035	A582080.TM1201CIN	93	80	54	27	19	15.5	44	48	8.5	29	M12	19	54
A582094.0003	A582094.TM0801CIN	109	94	56	30	19	18	45	49	9	30	M8	19	80
A582094.0007	A582094.TM1001CIN	109	94	56	30	19	18	45	49	9	30	M10	19	81
A582094.0013	A582094.TM1201CIN	109	94	56	30	19	18	45	49	9	30	M12	19	83
A582108.0005	A582108.TM1201CIN	125	108	64	34	24	21	51	55	10	35	M12	22	144
A582108.0007	A582108.TM1401CIN	125	108	64	34	24	21	51	55	10	35	M14	21	146
A582108.0010	A582108.TM1601CIN	125	108	64	34	24	21	51	55	10	35	M16	23	149