

A580CIN NEW



“EUROMODEL” INDEXED CLAMPING LEVER WITH STAINLESS STEEL THREADED INSERT



Materials:

Special technopolymer reinforced with high-strength glass fiber.
Resistant to oils and greases.

Surface finish:

Satin.

Lever body and insert colour:

Black (RAL 9011).

Inserts:

Stainless steel insert with female threaded hole (Aisi 303) (thread tolerance 6H).

Fixing screw:

Stainless steel screw (Aisi 303) with slotted head.

Spring:

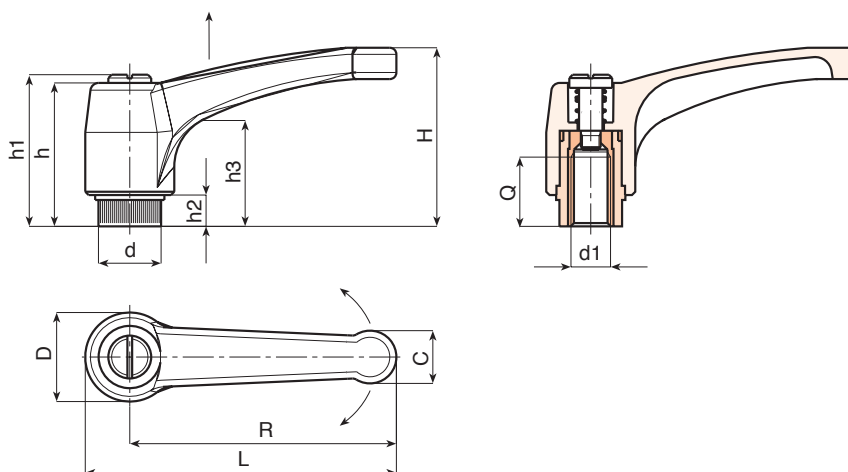
Stainless steel spring (Aisi 302).

Alternative lever body colours:

Orange (RAL 2004 code 02).
Blue (RAL 5015 code 07).
Yellow (RAL 1021 code 10).
Red (RAL 3000 code 16).
Green (RAL 6024 code 17).
Grey (RAL 7035 cod. 13).

Special requests:

- Upon request and for special quantities available in the colours indicated in the chart (attention: reduced range) [page 959].



Code	Art.	L	R	H	D	d	c	h	h1	h2	h3	d16H	Q	
A580065.0003	A580065.TM0601CIN	76	65	43	23	15	13	36	40	8	24	M6	14	36
A580065.0005	A580065.TM0801CIN	76	65	43	23	15	13	36	40	8	24	M8	14	35
A580065.0011	A580065.TM1001CIN	76	65	43	23	15	13	36	40	8	24	M10	14	35
A580080.0003	A580080.TM0801CIN	93	80	54	27	19	15.5	44	48	8.5	29	M8	19	55
A580080.0005	A580080.TM1001CIN	93	80	54	27	19	15.5	44	48	8.5	29	M10	19	54
A580080.0007	A580080.TM1201CIN	93	80	54	27	19	15.5	44	48	8.5	29	M12	19	54
A580094.0002	A580094.TM0801CIN	109	94	56	30	19	18	45	49	9	30	M8	19	80
A580094.0005	A580094.TM1001CIN	109	94	56	30	19	18	45	49	9	30	M10	19	81
A580094.0007	A580094.TM1201CIN	109	94	56	30	19	18	45	49	9	30	M12	19	83