

A580



“EUROMODEL” INDEXED CLAMPING LEVER WITH THREADED INSERT

Materials:

Special technopolymer reinforced with high-strength glass fiber.
Resistant to oils and greases.

Surface finish:

Satin.

Lever body and insert colour:

Black (RAL 9011).

Inserts:

Galvanised steel insert with female threaded hole (thread tolerance 6H).

Fixing screw:

Black oxide treated steel screw with hexagon socket head.
(*) Black oxide treated steel screw with slotted head.

Spring:

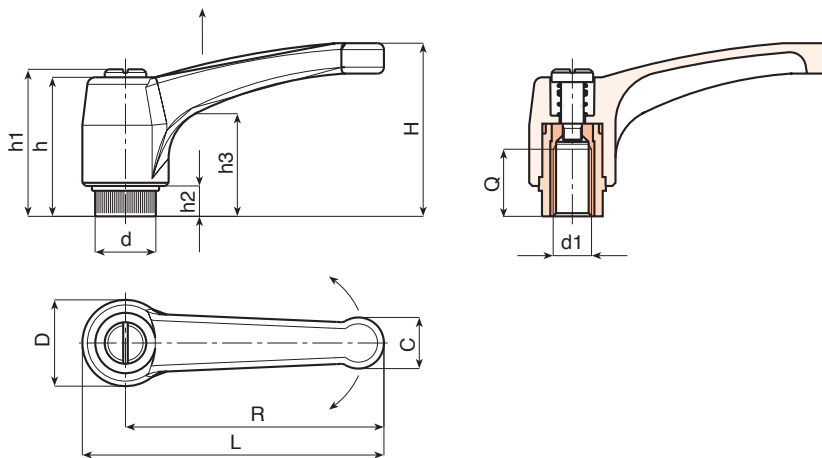
Stainless steel spring (Aisi 302).

Alternative lever body colours:

Orange (RAL 2004 code 02).
Blue (RAL 5015 code 07).
Yellow (RAL 1021 code 10).
Red (RAL 3000 code 16).
Green (RAL 6024 code 17).
Grey (RAL 7035 cod. 13).

Special requests:

- Upon request and for special quantities inserts can be supplied in different materials.
- Upon request and for special quantities available in the colours indicated in the chart (attention: reduced range) [page 959].



Code	Art.	L	R	H	D	d	c	h	h1	h2	h3	d16H	Q	⚖
A580043.0001	A580043.TM0401	51	43	33	17	11.5	9	29	32	6	18	M4	8	15
A580043.0004	A580043.TM0501	51	43	33	17	11.5	9	29	32	6	18	M5	10	15
A580043.0007	A580043.TM0601	51	43	33	17	11.5	9	29	32	6	18	M6	10	14
A580052.0001	* A580052.TM0601	63	52	41	22	15	12	36	40	8	23	M6	14	31
A580052.0002	* A580052.TM0801	63	52	41	22	15	12	36	40	8	23	M8	14	30
A580052.0004	* A580052.TM1001	63	52	41	22	15	12	36	40	8	23	M10	14	30
A580065.0001	A580065.TM0601	76	65	43	23	15	13	36	40	8	24	M6	14	36
A580065.0004	A580065.TM0801	76	65	43	23	15	13	36	40	8	24	M8	14	35
A580065.0010	A580065.TM1001	76	65	43	23	15	13	36	40	8	24	M10	14	35
A580080.0001	A580080.TM0801	93	80	54	27	19	15.5	44	48	8.5	29	M8	19	55
A580080.0004	A580080.TM1001	93	80	54	27	19	15.5	44	48	8.5	29	M10	19	54
A580080.0006	A580080.TM1201	93	80	54	27	19	15.5	44	48	8.5	29	M12	19	54
A580094.0001	* A580094.TM0801	109	94	56	30	19	18	45	49	9	30	M8	19	80
A580094.0003	* A580094.TM1001	109	94	56	30	19	18	45	49	9	30	M10	19	81
A580094.0006	* A580094.TM1201	109	94	56	30	19	18	45	49	9	30	M12	19	83
A580108.0001	A580108.TM1201	125	108	64	34	24	21	51	55	10	35	M12	22	144
A580108.0002	A580108.TM1401	125	108	64	34	24	21	51	55	10	35	M14	21	146
A580108.0004	A580108.TM1601	125	108	64	34	24	21	51	55	10	35	M16	23	149