

A573



INDEXED CLAMPING LEVER WITH 90° ARM AND THREADED STUD

Materials:

Special technopolymer reinforced with high-strength glass fiber.
Resistant to oils and greases.

Surface finish:

Satin.

Lever body and insert colour:

Black (RAL 9011).

Inserts:

Galvanised steel threaded stud (thread tolerance 6g).

Fixing screw:

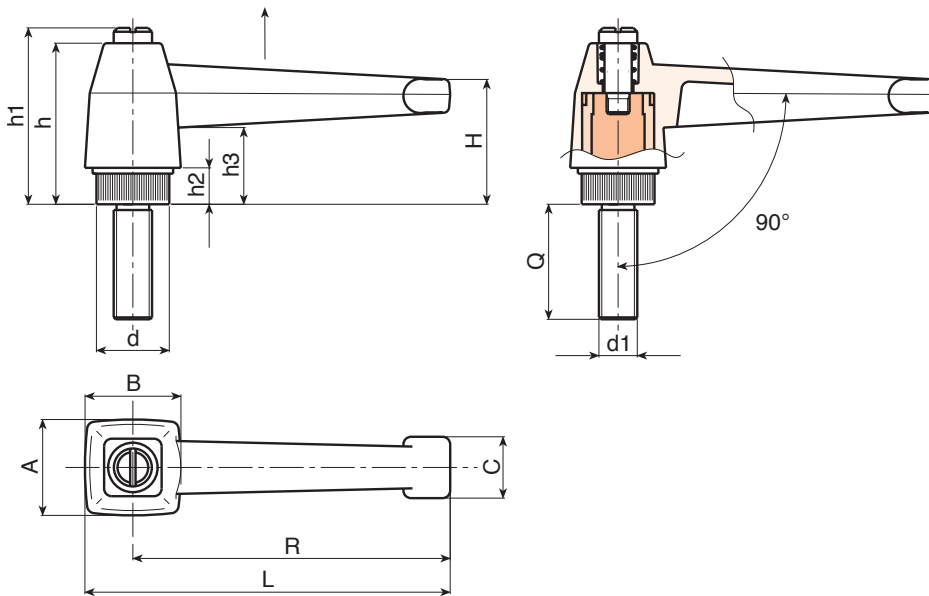
Black oxide treated steel screw with slotted head.

Spring:

Stainless steel spring (Aisi 302).

Special requests:

- Upon request and for special quantities inserts can be supplied with customised lengths.
- Upon request and for special quantities inserts can be supplied in different materials.
- Upon request and for special quantities available in the colours indicated in the chart (attention: reduced range) [page].



Code	Art.	L	R	H	A	B	c	h	h1	h2	h3	LM	d16g	Q	
A573083.0001	A573083.TM08X2001	94	83	33.5	25	25	16	42	47	10	21	90	M8	20	58
A573083.0004	A573083.TM08X4001	94	83	33.5	25	25	16	42	47	10	21	90	M8	40	64
A573083.0009	A573083.TM10X2001	94	83	33.5	25	25	16	42	47	10	21	90	M10	20	68
A573083.0012	A573083.TM10X4001	94	83	33.5	25	25	16	42	47	10	21	90	M10	40	76
A573083.0021	A573083.TM12X4001	94	83	33.5	25	25	16	42	47	10	21	90	M12	40	82

LM = Maximum mouldable length.