

# A572



## INDEXED CLAMPING LEVER WITH 90° ARM AND THREADED INSERT

### Materials:

Special technopolymer reinforced with high-strength glass fiber.  
Resistant to oils and greases.

### Surface finish:

Satin.

### Lever body and insert colour:

Black (RAL 9011).

### Inserts:

Galvanised steel insert with female threaded hole (thread tolerance 6H).

### Fixing screw:

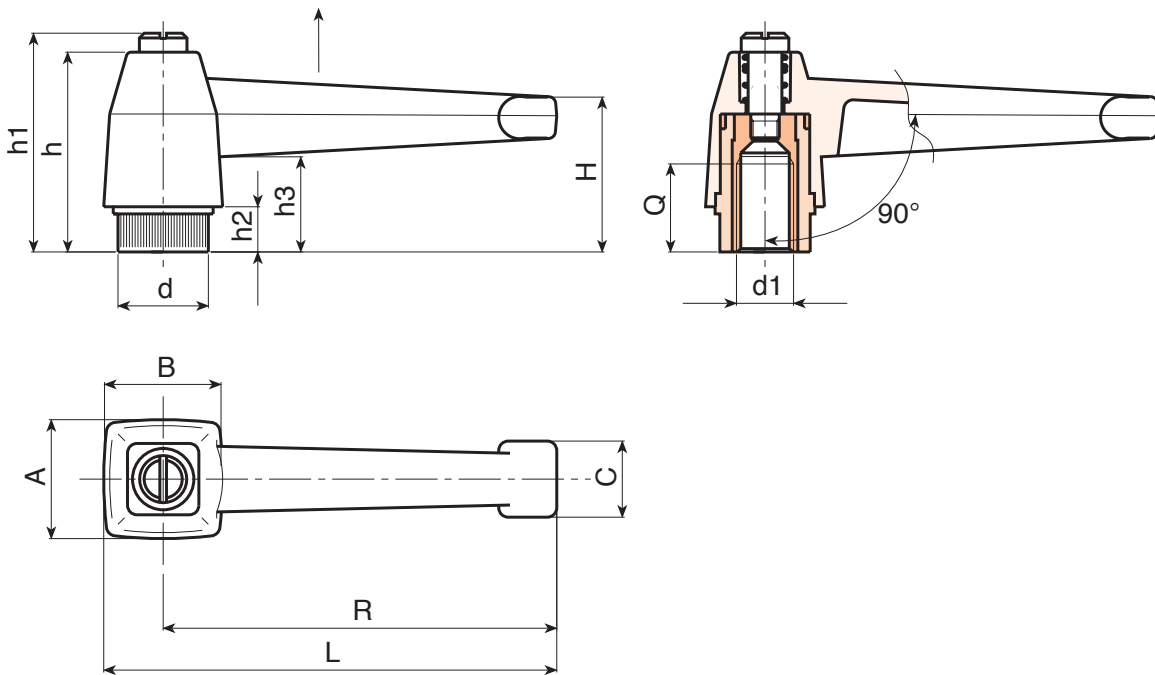
Black oxide treated steel screw with slotted head.

### Spring:

Stainless steel spring (Aisi 302).

### Special requests:

- Upon request and for special quantities inserts can be supplied in different materials.
- Upon request and for special quantities available in the colours indicated in the chart (attention: reduced range) [page 959].



Code	Art.	L	R	H	A	B	c	h	h1	h2	h3	d16H	Q	
A572083.0001	A572083.TM0801	94	83	33.5	25	25	16	42	47	10	21	M8	17	52
A572083.0002	A572083.TM1001	94	83	33.5	25	25	16	42	47	10	21	M10	17	48
A572083.0003	A572083.TM1201	94	83	33.5	25	25	16	42	47	10	21	M12	16	48