

A563CIN



PA6
+G.F.

UL94
HB

RoHS
COMPLIANT

INDEXED CLAMPING LEVER WITH BUTTON AND THREADED STAINLESS STEEL STUD

INOX

Materials:

Special technopolymer reinforced with high-strength glass fiber.
Resistant to oils and greases.

Surface finish:

Satin.

Lever body and insert colour:

Black (RAL 9011).

Inserts:

Stainless steel threaded stud (Aisi 303) (thread tolerance 6g).

Button:

Black polyamide button (RAL 9011).

Alternative lever body and button colours:

Orange (RAL 2004 code 02).

Blue (RAL 5015 code 07).

Yellow (RAL 1021 code 10).

Red (RAL 3000 code 16).

Green (RAL 6024 code 17).

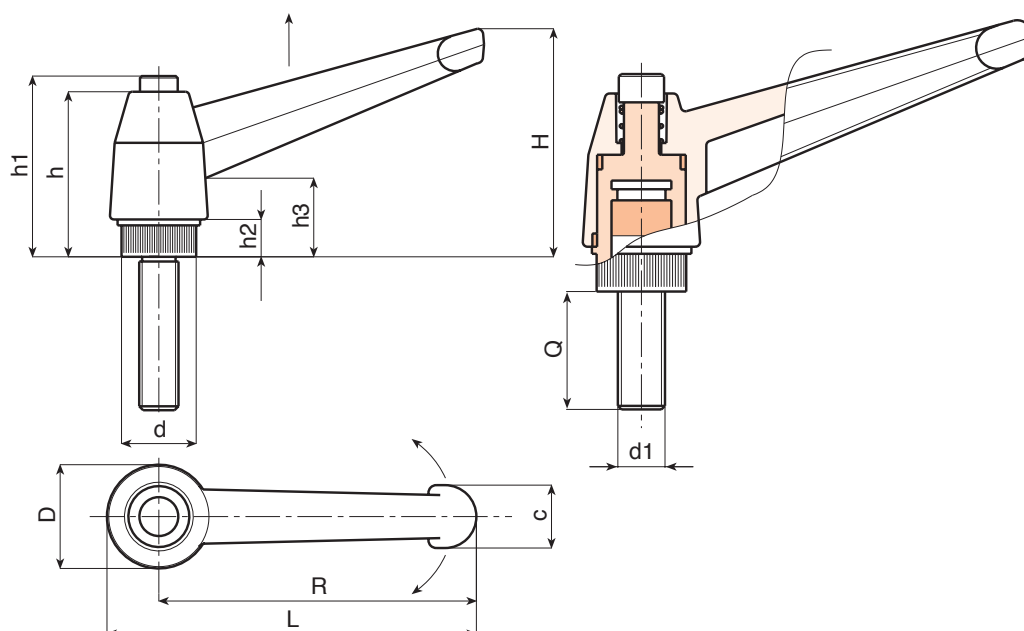
Grey (RAL 7035 cod. 13).

Spring:

Stainless steel spring (Aisi 302).

Special requests:

- Upon request and for special quantities inserts can be supplied with customised lengths.
- Upon request and for special quantities available in the colours indicated in the chart (attention: reduced range) [page 959].



A563CIN

INDEXED CLAMPING LEVER WITH BUTTON AND THREADED STAINLESS STEEL STUD



01

INOX

Code	Art.	L	R	H	D	d	c	h	h1	h2	h3	LM	d16g	Q	
A563043.0004	A563043.TM04X1601CIN	52	43	33	17	11.5	11	27	30	6	14	75	M4	16	10
A563043.0006	A563043.TM04X2001CIN	52	43	33	17	11.5	11	27	30	6	14	75	M4	20	11
A563043.0009	A563043.TM04X3001CIN	52	43	33	17	11.5	11	27	30	6	14	75	M4	30	12
A563043.0015	A563043.TM05X1601CIN	52	43	33	17	11.5	11	27	30	6	14	75	M5	16	14
A563043.0018	A563043.TM05X2001CIN	52	43	33	17	11.5	11	27	30	6	14	75	M5	20	15
A563043.0024	A563043.TM05X3001CIN	52	43	33	17	11.5	11	27	30	6	14	75	M5	30	16
A563043.0040	A563043.TM06X1601CIN	52	43	33	17	11.5	11	27	30	6	14	75	M6	16	15
A563043.0049	A563043.TM06X2001CIN	52	43	33	17	11.5	11	27	30	6	14	75	M6	20	16
A563043.0059	A563043.TM06X3001CIN	52	43	33	17	11.5	11	27	30	6	14	75	M6	30	18
-	A563065.TM06X1601CIN	77	65	45	23	15	13	34	38	8	17	90	M6	16	24
A563065.0005	A563065.TM06X2001CIN	77	65	45	23	15	13	34	38	8	17	90	M6	20	25
A563065.0012	A563065.TM06X3001CIN	77	65	45	23	15	13	34	38	8	17	90	M6	30	27
A563065.0017	A563065.TM08X4001CIN	77	65	45	23	15	13	34	38	8	17	90	M6	40	29
A563065.0033	A563065.TM08X1601CIN	77	65	45	23	15	13	34	38	8	17	90	M8	16	27
A563065.0043	A563065.TM08X2001CIN	77	65	45	23	15	13	34	38	8	17	90	M8	20	28
A563065.0059	A563065.TM08X3001CIN	77	65	45	23	15	13	34	38	8	17	90	M8	30	31
A563065.0073	A563065.TM08X4001CIN	77	65	45	23	15	13	34	38	8	17	90	M8	40	34
A563065.0094	A563065.TM10X1601CIN	77	65	45	23	15	13	34	38	8	17	90	M10	16	30
A563065.0097	A563065.TM10X2001CIN	77	65	45	23	15	13	34	38	8	17	90	M10	20	33
A563065.0101	A563065.TM10X3001CIN	77	65	45	23	15	13	34	38	8	17	90	M10	30	38
A563065.0105	A563065.TM10X4001CIN	77	65	45	23	15	13	34	38	8	17	90	M10	40	43
A563083.0006	A563083.TM08X2001CIN	97	83	57	27	19	16	43	47	10	23	90	M8	20	44
A563083.0011	A563083.TM08X3001CIN	97	83	57	27	19	16	43	47	10	23	90	M8	30	47
A563083.0015	A563083.TM08X4001CIN	97	83	57	27	19	16	43	47	10	23	90	M8	40	50
A563083.0020	A563083.TM08X5001CIN	97	83	57	27	19	16	43	47	10	23	90	M8	50	53
A563083.0045	A563083.TM10X2001CIN	97	83	57	27	19	16	43	47	10	23	90	M10	20	52
A563083.0066	A563083.TM10X3001CIN	97	83	57	27	19	16	43	47	10	23	90	M10	30	57
A563083.0077	A563083.TM10X4001CIN	97	83	57	27	19	16	43	47	10	23	90	M10	40	62
A563083.0085	A563083.TM10X5001CIN	97	83	57	27	19	16	43	47	10	23	90	M10	50	67
A563083.0152	A563083.TM12X2001CIN	97	83	57	27	19	16	43	47	10	23	90	M12	20	61
A563083.0109	A563083.TM12X3001CIN	97	83	57	27	19	16	43	47	10	23	90	M12	30	64
A563083.0118	A563083.TM12X4001CIN	97	83	57	27	19	16	43	47	10	23	90	M12	40	71
A563083.0124	A563083.TM12X5001CIN	97	83	57	27	19	16	43	47	10	23	90	M12	50	78
A563104.0044	A563104.TM12X2001CIN	121	104	70	33	24	19	50	53	11	26	100	M12	20	86
A563104.0045	A563104.TM12X3001CIN	121	104	70	33	24	19	50	53	11	26	100	M12	30	93
A563104.0046	A563104.TM12X4001CIN	121	104	70	33	24	19	50	53	11	26	100	M12	40	101
A563104.0047	A563104.TM12X5001CIN	121	104	70	33	24	19	50	53	11	26	100	M12	50	108
A563104.0048	A563104.TM14X2001CIN	121	104	70	33	24	19	50	53	11	26	100	M14	20	92
A563104.0049	A563104.TM14X3001CIN	121	104	70	33	24	19	50	53	11	26	100	M14	30	102
A563104.0050	A563104.TM14X4001CIN	121	104	70	33	24	19	50	53	11	26	100	M14	40	112
A563104.0051	A563104.TM14X5001CIN	121	104	70	33	24	19	50	53	11	26	100	M14	50	122
A563104.0052	A563104.TM16X2001CIN	121	104	70	33	24	19	50	53	11	26	100	M16	20	111
A563104.0053	A563104.TM16X3001CIN	121	104	70	33	24	19	50	53	11	26	100	M16	30	122
A563104.0054	A563104.TM16X4001CIN	121	104	70	33	24	19	50	53	11	26	100	M16	40	134
A563104.0055	A563104.TM16X5001CIN	121	104	70	33	24	19	50	53	11	26	100	M16	50	146

Customised stud length available for a minimum of 50 pieces.
LM = Maximum mouldable length.

