

# A563



## VERSTELBARE SPANGREEP MET DRUKKNOP EN DRAADEIND

### Materiaal:

Speciale technopolymeer versterkt met glasvezel met hoge weerstand.  
Bestand tegen oliën en vetten.

### Oppervlak:

Gesatineerd.

### Kleur van greep en inzetstuk:

Zwart (RAL 9011).

### Inzetstuk:

Draadeind in verzinkt staal (schroefdraad tolerantie 6g).

### Knop:

Knop in zwarte polyamide (RAL 9011).

### Veer:

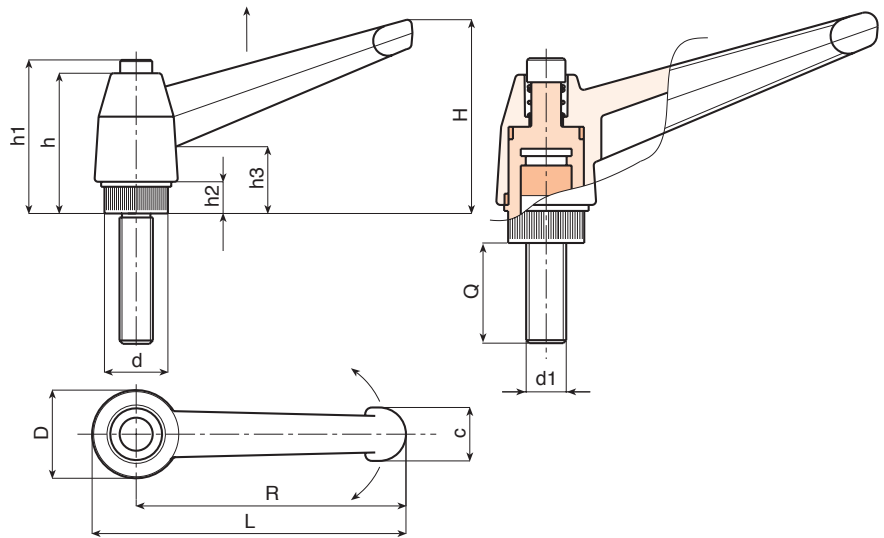
Veer in RVS (AISI 302).

### Beschikbare kleuren voor greep en drukknop:

Oranje (RAL 2004 code 02).  
Blauw (RAL 5015 code 07).  
Geel (RAL 1021 code 10).  
Rood (RAL 3000 code 16).  
Groen (RAL 6024 code 17).  
Grijs (RAL 7035 code 13).

### Speciale verzoeken:

- Op aanvraag en voor grote hoeveelheden zijn de inzetstukken leverbaar met gepersonaliseerde lengte.
- Op aanvraag en voor grote hoeveelheden kunnen de inzetstukken worden geleverd in verschillende materialen.
- Op aanvraag en voor grote hoeveelheden zijn de kleuren uit de kleurentabel leverbaar (let op: beperkt gamma) [pag. ].



| Code | Art.              | L  | R  | H  | D  | d    | c  | h  | h1 | h2 | h3 | LM | d1g | Q  | g  |
|------|-------------------|----|----|----|----|------|----|----|----|----|----|----|-----|----|----|
| -    | A563043.TM04X1001 | 52 | 43 | 33 | 17 | 11.5 | 11 | 27 | 30 | 6  | 14 | 75 | M4  | 10 | 8  |
| -    | A563043.TM04X1601 | 52 | 43 | 33 | 17 | 11.5 | 11 | 27 | 30 | 6  | 14 | 75 | M4  | 16 | 8  |
| -    | A563043.TM04X2001 | 52 | 43 | 33 | 17 | 11.5 | 11 | 27 | 30 | 6  | 14 | 75 | M4  | 20 | 9  |
| -    | A563043.TM04X2501 | 52 | 43 | 33 | 17 | 11.5 | 11 | 27 | 30 | 6  | 14 | 75 | M4  | 25 | 9  |
| -    | A563043.TM04X3001 | 52 | 43 | 33 | 17 | 11.5 | 11 | 27 | 30 | 6  | 14 | 75 | M4  | 30 | 10 |
| -    | A563043.TM04X4001 | 52 | 43 | 33 | 17 | 11.5 | 11 | 27 | 30 | 6  | 14 | 75 | M4  | 40 | 11 |
| -    | A563043.TM05X1001 | 52 | 43 | 33 | 17 | 11.5 | 11 | 27 | 30 | 6  | 14 | 75 | M5  | 10 | 11 |
| -    | A563043.TM05X1601 | 52 | 43 | 33 | 17 | 11.5 | 11 | 27 | 30 | 6  | 14 | 75 | M5  | 16 | 12 |
| -    | A563043.TM05X2001 | 52 | 43 | 33 | 17 | 11.5 | 11 | 27 | 30 | 6  | 14 | 75 | M5  | 20 | 13 |
| -    | A563043.TM05X2501 | 52 | 43 | 33 | 17 | 11.5 | 11 | 27 | 30 | 6  | 14 | 75 | M5  | 25 | 13 |
| -    | A563043.TM05X3001 | 52 | 43 | 33 | 17 | 11.5 | 11 | 27 | 30 | 6  | 14 | 75 | M5  | 30 | 14 |
| -    | A563043.TM05X4001 | 52 | 43 | 33 | 17 | 11.5 | 11 | 27 | 30 | 6  | 14 | 75 | M5  | 40 | 14 |
| -    | A563043.TM06X1001 | 52 | 43 | 33 | 17 | 11.5 | 11 | 27 | 30 | 6  | 14 | 75 | M6  | 10 | 11 |
| -    | A563043.TM06X1601 | 52 | 43 | 33 | 17 | 11.5 | 11 | 27 | 30 | 6  | 14 | 75 | M6  | 16 | 12 |
| -    | A563043.TM06X2001 | 52 | 43 | 33 | 17 | 11.5 | 11 | 27 | 30 | 6  | 14 | 75 | M6  | 20 | 14 |
| -    | A563043.TM06X2501 | 52 | 43 | 33 | 17 | 11.5 | 11 | 27 | 30 | 6  | 14 | 75 | M6  | 25 | 15 |
| -    | A563043.TM06X3001 | 52 | 43 | 33 | 17 | 11.5 | 11 | 27 | 30 | 6  | 14 | 75 | M6  | 30 | 16 |
| -    | A563043.TM06X3501 | 52 | 43 | 33 | 17 | 11.5 | 11 | 27 | 30 | 6  | 14 | 75 | M6  | 35 | 17 |
| -    | A563043.TM06X4001 | 52 | 43 | 33 | 17 | 11.5 | 11 | 27 | 30 | 6  | 14 | 75 | M6  | 40 | 18 |

# A563

## VERSTELBARE SPANGREEP MET DRUKKNOP EN DRAADEIND



A

| Code | Art.              | L   | R   | H  | D  | d    | c  | h  | h1 | h2 | h3 | LM  | d16g | Q  |     |
|------|-------------------|-----|-----|----|----|------|----|----|----|----|----|-----|------|----|-----|
| -    | A563043.TM06X5001 | 52  | 43  | 33 | 17 | 11.5 | 11 | 27 | 30 | 6  | 14 | 75  | M6   | 50 | 20  |
| -    | A563065.TM06X1601 | 77  | 65  | 45 | 23 | 15   | 13 | 34 | 38 | 8  | 17 | 90  | M6   | 16 | 22  |
| -    | A563065.TM06X2001 | 77  | 65  | 45 | 23 | 15   | 13 | 34 | 38 | 8  | 17 | 90  | M6   | 20 | 23  |
| -    | A563065.TM06X2501 | 77  | 65  | 45 | 23 | 15   | 13 | 34 | 38 | 8  | 17 | 90  | M6   | 25 | 24  |
| -    | A563065.TM06X3001 | 77  | 65  | 45 | 23 | 15   | 13 | 34 | 38 | 8  | 17 | 90  | M6   | 30 | 25  |
| -    | A563065.TM06X3501 | 77  | 65  | 45 | 23 | 15   | 13 | 34 | 38 | 8  | 17 | 90  | M6   | 35 | 26  |
| -    | A563065.TM06X4001 | 77  | 65  | 45 | 23 | 15   | 13 | 34 | 38 | 8  | 17 | 90  | M6   | 40 | 27  |
| -    | A563065.TM06X4501 | 77  | 65  | 45 | 23 | 15   | 13 | 34 | 38 | 8  | 17 | 90  | M6   | 45 | 28  |
| -    | A563065.TM06X5001 | 77  | 65  | 45 | 23 | 15   | 13 | 34 | 38 | 8  | 17 | 90  | M6   | 50 | 29  |
| -    | A563065.TM08X1601 | 77  | 65  | 45 | 23 | 15   | 13 | 34 | 38 | 8  | 17 | 90  | M8   | 16 | 25  |
| -    | A563065.TM08X2001 | 77  | 65  | 45 | 23 | 15   | 13 | 34 | 38 | 8  | 17 | 90  | M8   | 20 | 26  |
| -    | A563065.TM08X2501 | 77  | 65  | 45 | 23 | 15   | 13 | 34 | 38 | 8  | 17 | 90  | M8   | 25 | 27  |
| -    | A563065.TM08X3001 | 77  | 65  | 45 | 23 | 15   | 13 | 34 | 38 | 8  | 17 | 90  | M8   | 30 | 29  |
| -    | A563065.TM08X3501 | 77  | 65  | 45 | 23 | 15   | 13 | 34 | 38 | 8  | 17 | 90  | M8   | 35 | 30  |
| -    | A563065.TM08X4001 | 77  | 65  | 45 | 23 | 15   | 13 | 34 | 38 | 8  | 17 | 90  | M8   | 40 | 32  |
| -    | A563065.TM08X4501 | 77  | 65  | 45 | 23 | 15   | 13 | 34 | 38 | 8  | 17 | 90  | M8   | 45 | 33  |
| -    | A563065.TM08X5001 | 77  | 65  | 45 | 23 | 15   | 13 | 34 | 38 | 8  | 17 | 90  | M8   | 50 | 35  |
| -    | A563065.TM10X2001 | 77  | 65  | 45 | 23 | 15   | 13 | 34 | 38 | 8  | 17 | 90  | M10  | 20 | 31  |
| -    | A563065.TM10X2501 | 77  | 65  | 45 | 23 | 15   | 13 | 34 | 38 | 8  | 17 | 90  | M10  | 25 | 33  |
| -    | A563065.TM10X3001 | 77  | 65  | 45 | 23 | 15   | 13 | 34 | 38 | 8  | 17 | 90  | M10  | 30 | 36  |
| -    | A563065.TM10X3501 | 77  | 65  | 45 | 23 | 15   | 13 | 34 | 38 | 8  | 17 | 90  | M10  | 35 | 39  |
| -    | A563065.TM10X4001 | 77  | 65  | 45 | 23 | 15   | 13 | 34 | 38 | 8  | 17 | 90  | M10  | 40 | 41  |
| -    | A563065.TM10X5001 | 77  | 65  | 45 | 23 | 15   | 13 | 34 | 38 | 8  | 17 | 90  | M10  | 50 | 46  |
| -    | A563083.TM08X2001 | 97  | 83  | 57 | 27 | 19   | 16 | 43 | 47 | 10 | 23 | 90  | M8   | 20 | 42  |
| -    | A563083.TM08X2501 | 97  | 83  | 57 | 27 | 19   | 16 | 43 | 47 | 10 | 23 | 90  | M8   | 25 | 44  |
| -    | A563083.TM08X3001 | 97  | 83  | 57 | 27 | 19   | 16 | 43 | 47 | 10 | 23 | 90  | M8   | 30 | 45  |
| -    | A563083.TM08X3501 | 97  | 83  | 57 | 27 | 19   | 16 | 43 | 47 | 10 | 23 | 90  | M8   | 35 | 47  |
| -    | A563083.TM08X4001 | 97  | 83  | 57 | 27 | 19   | 16 | 43 | 47 | 10 | 23 | 90  | M8   | 40 | 48  |
| -    | A563083.TM08X5001 | 97  | 83  | 57 | 27 | 19   | 16 | 43 | 47 | 10 | 23 | 90  | M8   | 50 | 51  |
| -    | A563083.TM08X6001 | 97  | 83  | 57 | 27 | 19   | 16 | 43 | 47 | 10 | 23 | 90  | M8   | 60 | 54  |
| -    | A563083.TM08X7001 | 97  | 83  | 57 | 27 | 19   | 16 | 43 | 47 | 10 | 23 | 90  | M8   | 70 | 57  |
| -    | A563083.TM10X2001 | 97  | 83  | 57 | 27 | 19   | 16 | 43 | 47 | 10 | 23 | 90  | M10  | 20 | 50  |
| -    | A563083.TM10X2501 | 97  | 83  | 57 | 27 | 19   | 16 | 43 | 47 | 10 | 23 | 90  | M10  | 25 | 53  |
| -    | A563083.TM10X3001 | 97  | 83  | 57 | 27 | 19   | 16 | 43 | 47 | 10 | 23 | 90  | M10  | 30 | 55  |
| -    | A563083.TM10X3501 | 97  | 83  | 57 | 27 | 19   | 16 | 43 | 47 | 10 | 23 | 90  | M10  | 35 | 57  |
| -    | A563083.TM10X4001 | 97  | 83  | 57 | 27 | 19   | 16 | 43 | 47 | 10 | 23 | 90  | M10  | 40 | 60  |
| -    | A563083.TM10X4501 | 97  | 83  | 57 | 27 | 19   | 16 | 43 | 47 | 10 | 23 | 90  | M10  | 45 | 63  |
| -    | A563083.TM10X5001 | 97  | 83  | 57 | 27 | 19   | 16 | 43 | 47 | 10 | 23 | 90  | M10  | 50 | 65  |
| -    | A563083.TM10X6001 | 97  | 83  | 57 | 27 | 19   | 16 | 43 | 47 | 10 | 23 | 90  | M10  | 60 | 70  |
| -    | A563083.TM10X7001 | 97  | 83  | 57 | 27 | 19   | 16 | 43 | 47 | 10 | 23 | 90  | M10  | 70 | 75  |
| -    | A563083.TM12X2001 | 97  | 83  | 57 | 27 | 19   | 16 | 43 | 47 | 10 | 23 | 90  | M12  | 20 | 62  |
| -    | A563083.TM12X2501 | 97  | 83  | 57 | 27 | 19   | 16 | 43 | 47 | 10 | 23 | 90  | M12  | 25 | 65  |
| -    | A563083.TM12X3001 | 97  | 83  | 57 | 27 | 19   | 16 | 43 | 47 | 10 | 23 | 90  | M12  | 30 | 69  |
| -    | A563083.TM12X3501 | 97  | 83  | 57 | 27 | 19   | 16 | 43 | 47 | 10 | 23 | 90  | M12  | 35 | 72  |
| -    | A563083.TM12X4001 | 97  | 83  | 57 | 27 | 19   | 16 | 43 | 47 | 10 | 23 | 90  | M12  | 40 | 76  |
| -    | A563083.TM12X5001 | 97  | 83  | 57 | 27 | 19   | 16 | 43 | 47 | 10 | 23 | 90  | M12  | 50 | 83  |
| -    | A563083.TM12X6001 | 97  | 83  | 57 | 27 | 19   | 16 | 43 | 47 | 10 | 23 | 90  | M12  | 60 | 90  |
| -    | A563083.TM12X7001 | 97  | 83  | 57 | 27 | 19   | 16 | 43 | 47 | 10 | 23 | 90  | M12  | 70 | 97  |
| -    | A563104.TM12X2001 | 121 | 104 | 70 | 33 | 24   | 19 | 50 | 53 | 11 | 26 | 100 | M12  | 20 | 84  |
| -    | A563104.TM12X2501 | 121 | 104 | 70 | 33 | 24   | 19 | 50 | 53 | 11 | 26 | 100 | M12  | 25 | 87  |
| -    | A563104.TM12X3001 | 121 | 104 | 70 | 33 | 24   | 19 | 50 | 53 | 11 | 26 | 100 | M12  | 30 | 91  |
| -    | A563104.TM12X3501 | 121 | 104 | 70 | 33 | 24   | 19 | 50 | 53 | 11 | 26 | 100 | M12  | 35 | 96  |
| -    | A563104.TM12X4001 | 121 | 104 | 70 | 33 | 24   | 19 | 50 | 53 | 11 | 26 | 100 | M12  | 40 | 98  |
| -    | A563104.TM12X5001 | 121 | 104 | 70 | 33 | 24   | 19 | 50 | 53 | 11 | 26 | 100 | M12  | 50 | 105 |
| -    | A563104.TM12X6001 | 121 | 104 | 70 | 33 | 24   | 19 | 50 | 53 | 11 | 26 | 100 | M12  | 60 | 112 |
| -    | A563104.TM12X7001 | 121 | 104 | 70 | 33 | 24   | 19 | 50 | 53 | 11 | 26 | 100 | M12  | 70 | 119 |
| -    | A563104.TM14X2001 | 121 | 104 | 70 | 33 | 24   | 19 | 50 | 53 | 11 | 26 | 100 | M14  | 20 | 90  |
| -    | A563104.TM14X2501 | 121 | 104 | 70 | 33 | 24   | 19 | 50 | 53 | 11 | 26 | 100 | M14  | 25 | 95  |
| -    | A563104.TM14X3001 | 121 | 104 | 70 | 33 | 24   | 19 | 50 | 53 | 11 | 26 | 100 | M14  | 30 | 100 |
| -    | A563104.TM14X3501 | 121 | 104 | 70 | 33 | 24   | 19 | 50 | 53 | 11 | 26 | 100 | M14  | 35 | 105 |
| -    | A563104.TM14X4001 | 121 | 104 | 70 | 33 | 24   | 19 | 50 | 53 | 11 | 26 | 100 | M14  | 40 | 110 |
| -    | A563104.TM14X5001 | 121 | 104 | 70 | 33 | 24   | 19 | 50 | 53 | 11 | 26 | 100 | M14  | 50 | 120 |
| -    | A563104.TM14X6001 | 121 | 104 | 70 | 33 | 24   | 19 | 50 | 53 | 11 | 26 | 100 | M14  | 60 | 130 |
| -    | A563104.TM14X7001 | 121 | 104 | 70 | 33 | 24   | 19 | 50 | 53 | 11 | 26 | 100 | M14  | 70 | 140 |
| -    | A563104.TM16X2001 | 121 | 104 | 70 | 33 | 24   | 19 | 50 | 53 | 11 | 26 | 100 | M16  | 20 | 108 |
| -    | A563104.TM16X3001 | 121 | 104 | 70 | 33 | 24   | 19 | 50 | 53 | 11 | 26 | 100 | M16  | 30 | 120 |
| -    | A563104.TM16X4001 | 121 | 104 | 70 | 33 | 24   | 19 | 50 | 53 | 11 | 26 | 100 | M16  | 40 | 132 |