

A562CIN



PA6
+G.F.

UL94
HB

RoHS
COMPLIANT

INDEXED CLAMPING LEVER WITH BUTTON AND THREADED STAINLESS STEEL INSERT

INOX

Materials:

Special technopolymer reinforced with high-strength glass fiber.
Resistant to oils and greases.

Surface finish:

Satin.

Lever body and insert colour:

Black (RAL 9011).

Inserts:

Stainless steel insert with female threaded hole (Aisi 303) (thread tolerance 6H).

Button:

Black polyamide button (RAL 9011).

Alternative lever body and button colours:

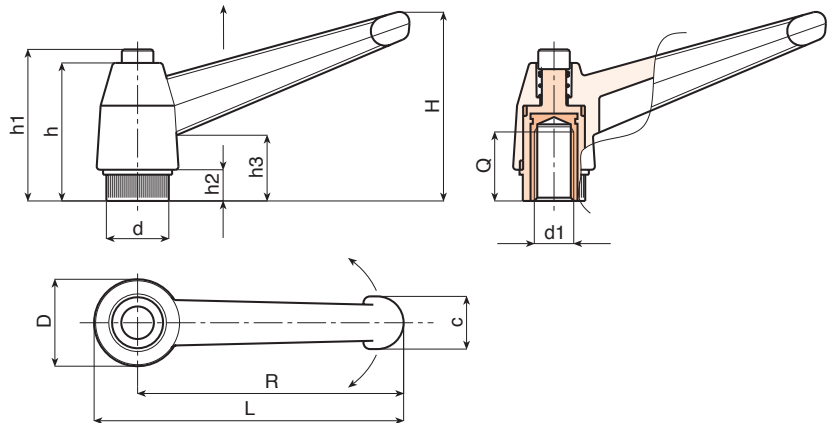
Orange (RAL 2004 code 02).
Blue (RAL 5015 code 07).
Yellow (RAL 1021 code 10).
Red (RAL 3000 code 16).
Green (RAL 6024 code 17).
Grey (RAL 7035 cod. 13).

Spring:

Stainless steel spring (Aisi 302).

Special requests:

- Upon request and for special quantities available in the colours indicated in the chart (attention: reduced range) [page 959].



INOX

Code	Art.	L	R	H	D	d	c	h	h1	h2	h3	d16H	Q	9
A562043.0002	A562043.TM0401CIN	52	43	33	17	11.5	11	27	30	6	14	M4	10	14
A562043.0005	A562043.TM0501CIN	52	43	33	17	11.5	11	27	30	6	14	M5	9	14
A562043.0010	A562043.TM0601CIN	52	43	33	17	11.5	11	27	30	6	14	M6	9	14
A562065.0003	A562065.TM0601CIN	77	65	45	23	15	13	34	38	8	17	M6	15	28
A562065.0009	A562065.TM0801CIN	77	65	45	23	15	13	34	38	8	17	M8	15	26
A562083.0005	A562083.TM0801CIN	97	83	57	27	19	16	43	47	10	23	M8	17	52
A562083.0009	A562083.TM1001CIN	97	83	57	27	19	16	43	47	10	23	M10	17	48
A562083.0017	A562083.TM1201CIN	97	83	57	27	19	16	43	47	10	23	M12	16	48
A562104.0003	A562104.TM1001CIN	121	104	70	33	24	19	50	53	11	26	M10	20	114
A562104.0007	A562104.TM1201CIN	121	104	70	33	24	19	50	53	11	26	M12	22	106
A562104.0011	A562104.TM1401CIN	121	104	70	33	24	19	50	53	11	26	M14	21	100
A562104.0015	A562104.TM1601CIN	121	104	70	33	24	19	50	53	11	26	M16	23	100

