

A525

FIXED LEVER WITH THREADED STUD



Materials:

Reinforced polyamide.
Resistant to oils and greases.

Surface finish:

Satin.

Colour:

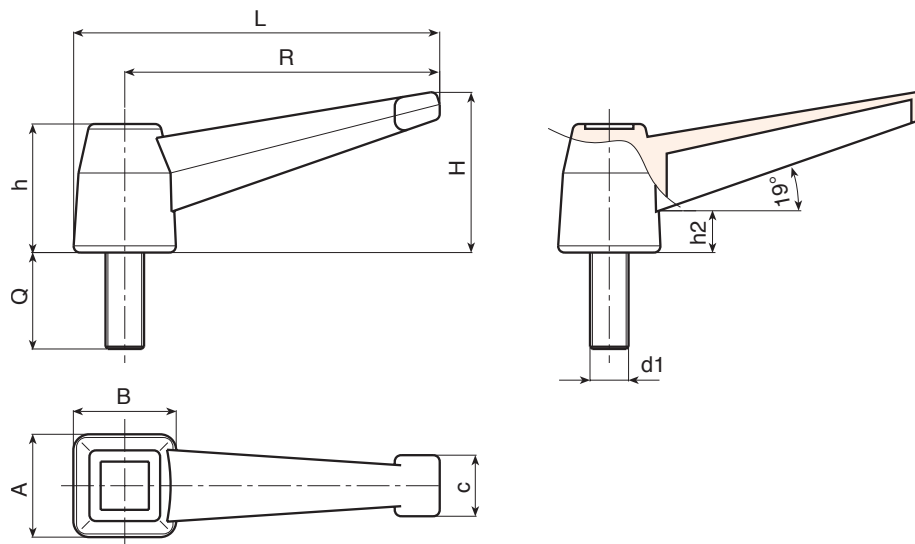
Black (RAL 9011).

Inserts:

Galvanised steel threaded stud (thread tolerance 6g).

Special requests:

- Upon request and for special quantities inserts can be supplied with customised lengths.
- Upon request and for special quantities inserts can be supplied in different materials.



Code	Art.	L	R	H	A	B	c	h	h2	LM	d1g	Q	
A52598.0002	A52598.TM10X4001	112	96	51	32	32	19	40	12	100	M10	40	90
A52598.0005	A52598.TM12X4001	112	96	51	32	32	19	40	12	100	M12	40	104
A52598.0018	A52598.TM16X4001	112	96	51	32	32	19	40	12	100	M16	40	164

Customised stud length available for a minimum of 150 pieces.

LM = Maximum mouldable length.