

A523

INDEXED CLAMPING LEVER WITH THREADED STUD



Materials:

Special technopolymer reinforced with high-strength glass fiber.
Resistant to oils and greases.

Surface finish:

Satin.

Lever body and insert colour:

Black (RAL 9011).

Inserts:

Galvanised steel threaded stud (tolerance 6g).

Fixing screw:

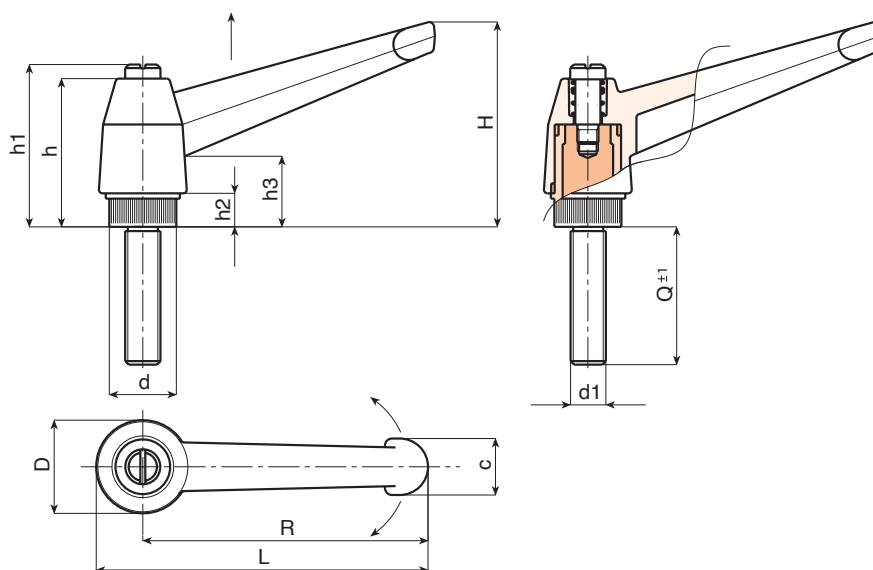
Black oxide treated steel screw with slotted head.

Spring:

Stainless steel spring (Aisi 302).

Special requests:

- Upon request and for special quantities inserts can be supplied with customised lengths.
- Upon request and for special quantities inserts can be supplied in different materials.
- Upon request and for special quantities available in the colours indicated in the chart (attention: reduced range) [page 959].



Code	Art.	L	R	H	D	d	c	h	h1	h2	h3	LM	d16g	Q	
A523043.0001	A523043.TM04X1001	52	43	33	17	11.5	11	27	30	6	14	60	M4	10	16
A523043.0003	A523043.TM04X1601	52	43	33	17	11.5	11	27	30	6	14	60	M4	16	16
A523043.0004	A523043.TM04X2001	52	43	33	17	11.5	11	27	30	6	14	60	M4	20	17
A523043.0005	A523043.TM04X2501	52	43	33	17	11.5	11	27	30	6	14	60	M4	25	18
A523043.0006	A523043.TM04X3001	52	43	33	17	11.5	11	27	30	6	14	60	M4	30	18
A523043.0007	A523043.TM04X4001	52	43	33	17	11.5	11	27	30	6	14	60	M4	40	19
A523043.0008	A523043.TM05X1001	52	43	33	17	11.5	11	27	30	6	14	60	M5	10	16
A523043.0011	A523043.TM05X1601	52	43	33	17	11.5	11	27	30	6	14	60	M5	16	17
A523043.0014	A523043.TM05X2001	52	43	33	17	11.5	11	27	30	6	14	60	M5	20	17
A523043.0016	A523043.TM05X2501	52	43	33	17	11.5	11	27	30	6	14	60	M5	25	17
A523043.0018	A523043.TM05X3001	52	43	33	17	11.5	11	27	30	6	14	60	M5	30	18
A523043.0021	A523043.TM05X4001	52	43	33	17	11.5	11	27	30	6	14	60	M5	40	19
A523043.0027	A523043.TM06X1001	52	43	33	17	11.5	11	27	30	6	14	60	M6	10	18
A523043.0032	A523043.TM06X1601	52	43	33	17	11.5	11	27	30	6	14	60	M6	16	18

01

Code	Art.	L	R	H	D	d	c	h	h1	h2	h3	LM	d16g	Q	
A523043.0036	A523043.TM06X2001	52	43	33	17	11.5	11	27	30	6	14	60	M6	20	19
A523043.0039	A523043.TM06X2501	52	43	33	17	11.5	11	27	30	6	14	60	M6	25	20
A523043.0042	A523043.TM06X3001	52	43	33	17	11.5	11	27	30	6	14	60	M6	30	20
A523043.0048	A523043.TM06X4001	52	43	33	17	11.5	11	27	30	6	14	60	M6	40	21
A523065.0004	A523065.TM06X1601	77	65	45	23	15	13	34	38	8	17	60	M6	16	37
A523065.0006	A523065.TM06X2001	77	65	45	23	15	13	34	38	8	17	60	M6	20	37
A523065.0009	A523065.TM06X2501	77	65	45	23	15	13	34	38	8	17	60	M6	25	37
A523065.0011	A523065.TM06X3001	77	65	45	23	15	13	34	38	8	17	60	M6	30	37
A523065.0017	A523065.TM06X4001	77	65	45	23	15	13	34	38	8	17	60	M6	40	37
A523065.0036	A523065.TM08X1601	77	65	45	23	15	13	34	38	8	17	60	M8	16	35
A523065.0040	A523065.TM08X2001	77	65	45	23	15	13	34	38	8	17	60	M8	20	37
A523065.0047	A523065.TM08X2501	77	65	45	23	15	13	34	38	8	17	60	M8	25	38
A523065.0050	A523065.TM08X3001	77	65	45	23	15	13	34	38	8	17	60	M8	30	40
A523065.0056	A523065.TM08X3501	77	65	45	23	15	13	34	38	8	17	60	M8	35	42
A523065.0059	A523065.TM08X4001	77	65	45	23	15	13	34	38	8	17	60	M8	40	43
A523065.0063	A523065.TM08X4501	77	65	45	23	15	13	34	38	8	17	60	M8	45	44
A523065.0066	A523065.TM08X5001	77	65	45	23	15	13	34	38	8	17	60	M8	50	46
A523083.0009	A523083.TM08X2001	97	83	57	27	19	16	43	47	10	23	90	M8	20	58
A523083.0013	A523083.TM08X2501	97	83	57	27	19	16	43	47	10	23	90	M8	25	59
A523083.0015	A523083.TM08X3001	97	83	57	27	19	16	43	47	10	23	90	M8	30	61
A523083.0018	A523083.TM08X3501	97	83	57	27	19	16	43	47	10	23	90	M8	35	62
A523083.0020	A523083.TM08X4001	97	83	57	27	19	16	43	47	10	23	90	M8	40	64
A523083.0024	A523083.TM08X5001	97	83	57	27	19	16	43	47	10	23	90	M8	50	67
A523083.0028	A523083.TM08X6001	97	83	57	27	19	16	43	47	10	23	90	M8	60	70
A523083.0059	A523083.TM10X2001	97	83	57	27	19	16	43	47	10	23	90	M10	20	67
A523083.0063	A523083.TM10X2501	97	83	57	27	19	16	43	47	10	23	90	M10	25	70
A523083.0068	A523083.TM10X3001	97	83	57	27	19	16	43	47	10	23	90	M10	30	72
A523083.0073	A523083.TM10X3501	97	83	57	27	19	16	43	47	10	23	90	M10	35	74
A523083.0080	A523083.TM10X4001	97	83	57	27	19	16	43	47	10	23	90	M10	40	77
A523083.0090	A523083.TM10X5001	97	83	57	27	19	16	43	47	10	23	90	M10	50	82
A523083.0096	A523083.TM10X6001	97	83	57	27	19	16	43	47	10	23	90	M10	60	87
A523083.0122	A523083.TM12X2001	97	83	57	27	19	16	43	47	10	23	90	M12	20	79
A523083.0126	A523083.TM12X2501	97	83	57	27	19	16	43	47	10	23	90	M12	25	82
A523083.0129	A523083.TM12X3001	97	83	57	27	19	16	43	47	10	23	90	M12	30	86
A523083.0134	A523083.TM12X3501	97	83	57	27	19	16	43	47	10	23	90	M12	35	89
A523083.0136	A523083.TM12X4001	97	83	57	27	19	16	43	47	10	23	90	M12	40	93
A523083.0141	A523083.TM12X5001	97	83	57	27	19	16	43	47	10	23	90	M12	50	100
A523083.0144	A523083.TM12X6001	97	83	57	27	19	16	43	47	10	23	90	M12	60	107
A523104.0006	A523104.TM10X2001	121	104	70	33	24	19	50	53	11	26	90	M10	20	109
A523104.0009	A523104.TM10X3001	121	104	70	33	24	19	50	53	11	26	90	M10	30	114
A523104.0011	A523104.TM10X4001	121	104	70	33	24	19	50	53	11	26	90	M10	40	119
A523104.0012	A523104.TM10X5001	121	104	70	33	24	19	50	53	11	26	90	M10	50	124
A523104.0013	A523104.TM10X6001	121	104	70	33	24	19	50	53	11	26	90	M10	60	129
A523104.0028	A523104.TM12X2001	121	104	70	33	24	19	50	53	11	26	90	M12	20	115
A523104.0032	A523104.TM12X3001	121	104	70	33	24	19	50	53	11	26	90	M12	30	122
A523104.0036	A523104.TM12X4001	121	104	70	33	24	19	50	53	11	26	90	M12	40	129
A523104.0038	A523104.TM12X5001	121	104	70	33	24	19	50	53	11	26	90	M12	50	136
A523104.0042	A523104.TM12X6001	121	104	70	33	24	19	50	53	11	26	90	M12	60	143
A523104.0058	A523104.TM14X3001	121	104	70	33	24	19	50	53	11	26	90	M14	30	140
A523104.0064	A523104.TM14X4001	121	104	70	33	24	19	50	53	11	26	90	M14	40	150
A523104.0066	A523104.TM14X5001	121	104	70	33	24	19	50	53	11	26	90	M14	50	160
A523104.0068	A523104.TM14X6001	121	104	70	33	24	19	50	53	11	26	90	M14	60	170
A523104.0069	A523104.TM14X7001	121	104	70	33	24	19	50	53	11	26	90	M14	70	180
A523104.0079	A523104.TM16X3001	121	104	70	33	24	19	50	53	11	26	90	M16	30	156
A523104.0083	A523104.TM16X4001	121	104	70	33	24	19	50	53	11	26	90	M16	40	170
A523104.0085	A523104.TM16X5001	121	104	70	33	24	19	50	53	11	26	90	M16	50	184
A523104.0087	A523104.TM16X6001	121	104	70	33	24	19	50	53	11	26	90	M16	60	198
A523104.0090	A523104.TM16X7001	121	104	70	33	24	19	50	53	11	26	90	M16	70	212

Customised stud length available for a minimum of 100 pieces.
LM = Maximum mouldable length.

