

A522

INDEXED CLAMPING LEVER WITH THREADED INSERT



Materials:

Special technopolymer reinforced with high-strength glass fiber.
Resistant to oils and greases.

Surface finish:

Satin.

Lever body and insert colour:

Black (RAL 9011).

Inserts:

Galvanised steel insert with female threaded hole (thread tolerance 6H).

Fixing screw:

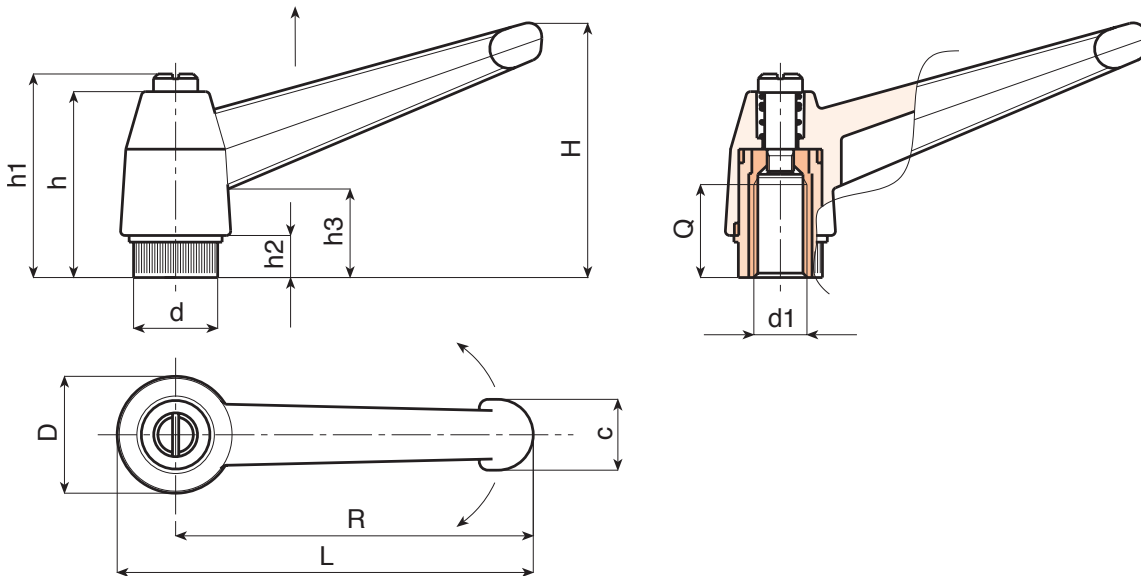
Black oxide treated steel screw with slotted head.

Spring:

Stainless steel spring (Aisi 302).

Special requests:

- Upon request and for special quantities inserts can be supplied in different materials.
- Upon request and for special quantities available in the colours indicated in the chart (attention: reduced range) [page 959].



Code	Art.	L	R	H	D	d	c	h	h1	h2	h3	d16H	Q	g
A522043.0001	A522043.TM0401	52	43	33	17	11.5	11	27	30	6	14	M4	10	14
A522043.0003	A522043.TM0501	52	43	33	17	11.5	11	27	30	6	14	M5	9	14
A522043.0005	A522043.TM0601	52	43	33	17	11.5	11	27	30	6	14	M6	9	14
A522065.0001	A522065.TM0601	77	65	45	23	15	13	34	38	8	17	M6	15	28
A522065.0004	A522065.TM0801	77	65	45	23	15	13	34	38	8	17	M8	15	26
A522065.0012	A522065.TM1001	77	65	45	23	15	13	34	38	8	17	M10	13	28
A522083.0001	A522083.TM0801	97	83	57	27	19	16	43	47	10	23	M8	17	52
A522083.0006	A522083.TM1001	97	83	57	27	19	16	43	47	10	23	M10	17	48
A522083.0015	A522083.TM1201	97	83	57	27	19	16	43	47	10	23	M12	16	48
A522104.0002	A522104.TM1001	121	104	70	33	24	19	50	53	11	26	M10	20	114
A522104.0004	A522104.TM1201	121	104	70	33	24	19	50	53	11	26	M12	22	106
A522104.0006	A522104.TM1401	121	104	70	33	24	19	50	53	11	26	M14	21	100
A522104.0008	A522104.TM1601	121	104	70	33	24	19	50	53	11	26	M16	23	100