

# W780

**NEW**



## KNOB WITH SHORT STEEL INDEXING PLUNGER

### Materials:

(4) Reinforced polyamide lobed knob. Cannot be disassembled. Resistant to oils and greases.

(5) Central cap in polyamide. Resistant to oils and greases.

### W780:

(3) Galvanised steel spring.

(2) Threaded high-resistance steel hexagon ring nut.

(1) Hardened high resistance steel plunger pin.

(6) Galvanised steel knob fixing screw (ISO 7046).

### W780CIN:

(3) Stainless steel spring (Aisi 301).

(2) Threaded stainless steel hexagon ring nut (Aisi 303).

(1) Stainless steel plunger pin (Aisi 303).

(6) Galvanised steel knob fixing screw (ISO 7046).

### Surface finish:

(4-5) Satin.

(1-2-3) Smooth.

### Colour:

(4) Black (RAL 9011).

(5) Grey (RAL 7035).

### W780:

(1-2) Black-oxide treated.

### W780CIN:

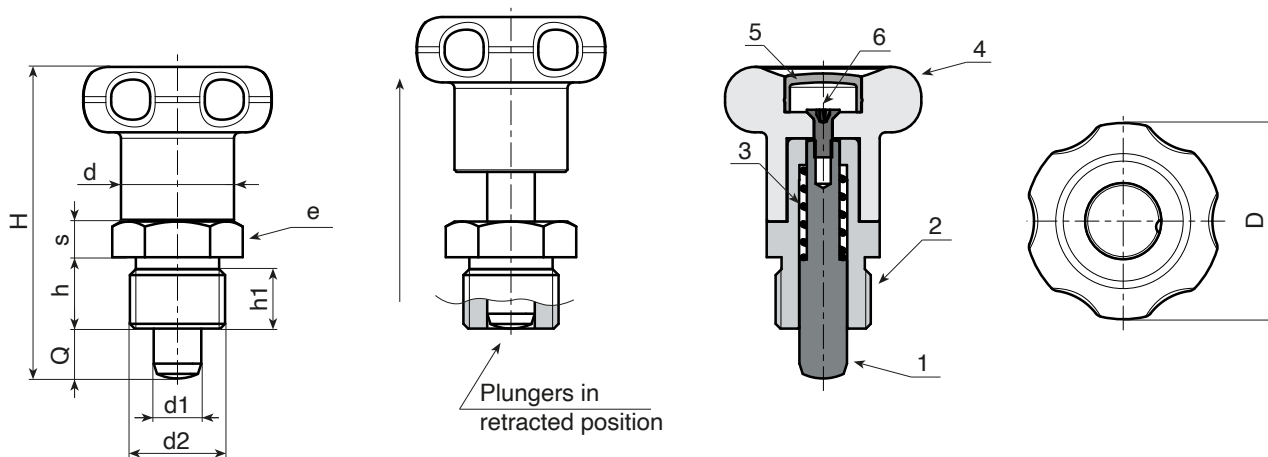
(1-2) Natural.

### ATTENTION:

> We recommend an H7 tolerance for the plunger stem bore.

### Special Requests:

- On request and for special quantities the knob can be supplied in the colours indicated in the table [page 807].



### Version W780 - black-oxide treated steel

Art.	D	H	h	h1	d2	d	e	s	d1 -0,02 -0,04	Q	g
W780.Q0601	27	43	10	8	M12x1,5	14	17	5	6	6	31
W780.Q0801	33	52	12	10	M16x1,5	19	19	6	8	8	57

### Version W780 CIN - stainless steel (Aisi 303)

Art.	D	H	h	h1	d2	d	e	s	d1 -0,02 -0,04	Q	g
W780.I0601CIN	27	43	10	8	M12x1,5	14	17	5	6	6	31
W780.I0801CIN	33	52	12	10	M16x1,5	19	19	6	8	8	57

**INOX**

