

I130



"EUROMODEL" MUSHROOM KNOB WITH CAP AND THREADED STUD

Materials:

Reinforced polyamide.
Resistant to oils and greases.

Surface finish:

Satin.

Colour:

Black (RAL 9011).

Central cap:

Grey polyamide (RAL 7035 code 13).

Alternative cap colours:

Orange (RAL 2004 cod. 02).
Blue (RAL 5015 cod. 07).
Yellow (RAL 1021 cod. 10).
Red (RAL 3000 cod. 16).
Green (RAL 6024 cod. 17).
Black (RAL 9011 cod. 01).

Inserts:

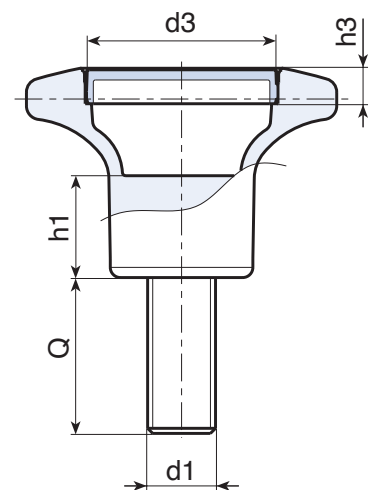
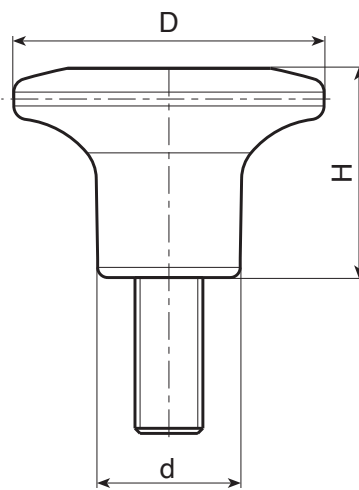
Galvanised steel threaded stud (thread tolerance 6g).

Special requests:

- Upon request and for special quantities inserts can be supplied with customised lengths.
- Upon request and for special quantities inserts can be supplied in different materials.
- Upon request and for special quantities available in the colours indicated in the chart [page 807].

PAD PRINTING SERVICE

Upon request and for special quantities caps can be supplied with custom pad printing.



art.	D	H	d	h1	d3	h3	LM	d1 _{6g}	Q	g
I13045.TM08X3001	45	31	21	15	28	5	100	M8	30	36
I13045.TM10X..01	45	31	21	15	28	5	100	M10	A.R.	-
I13045.TM12X..01	45	31	21	15	28	5	100	M12	A.R.	-

Enter the selected stud length in place of the two dots .. in the item code.

LM = Maximum mouldable length.

A.R. = Customised stud lengths only available for a minimum of 250 pieces.

