

W849

**C40****Aisi 303**

GRANO FILETTATO IN ACCIAIO CON ESAGONO INCASSATO E PUNTA A SFERA IN ACCIAIO

Materiali:**W849:**

Corpo grano in acciaio bonificato con classe di resistenza 10.9.

W849CIN:

Corpo grano in acciaio inox, (Aisi 303).

Superficie:

Liscia.

Colore:**W849:**

Brunito.

W849CIN:

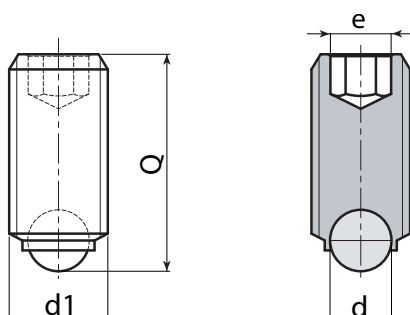
Naturale.

Sfera:

Sfera in acciaio inox temprata, (Aisi 420).

Richieste speciali:

- Nessuna.



Versione W849: in acciaio brunito

Codice	art.	d1 _{6H}	e	d	Q	g
W849.0025	W849.SBM04X10	M4	2	2.5	10	1
W849.0071	W849.SBM04X12	M4	2	2.5	12	1
W849.0026	W849.SBM04X16	M4	2	2.5	16	1
W849.0028	W849.SBM05X10	M5	2.5	3	10	1
W849.0029	W849.SBM05X12	M5	2.5	3	12	1,3
W849.0030	W849.SBM05X16	M5	2.5	3	16	1,7
W849.0031	W849.SBM05X20	M5	2.5	3	20	2
W849.0032	W849.SBM05X25	M5	2.5	3	25	2,9
W849.0033	W849.SBM06X11	M6	3	4	11	1,3
W849.0034	W849.SBM06X13	M6	3	4	13	1,8
W849.0035	W849.SBM06X17	M6	3	4	17	2,4
W849.0036	W849.SBM06X21	M6	3	4	21	3
W849.0037	W849.SBM06X26	M6	3	4	26	4
W849.0038	W849.SBM08X11	M8	4	4.5	11	3
W849.0039	W849.SBM08X13	M8	4	4.5	13	3
W849.0040	W849.SBM08X17	M8	4	4.5	17	4
W849.0041	W849.SBM08X21	M8	4	4.5	21	5
W849.0042	W849.SBM08X26	M8	4	4.5	26	7
W849.0043	W849.SBM08X31	M8	4	4.5	31	9
W849.0044	W849.SBM10X14	M10	5	7	14	5
W849.0045	W849.SBM10X18	M10	5	7	18	6
W849.0046	W849.SBM10X22	M10	5	7	22	9
W849.0047	W849.SBM10X27	M10	5	7	27	11
W849.0049	W849.SBM10X37	M10	5	7	37	16
W849.0050	W849.SBM12X18	M12	6	8.5	18	10
W849.0072	W849.SBM12X22	M12	6	8.5	22	11
W849.0073	W849.SBM12X32	M12	6	8.5	32	18
W849.0074	W849.SBM12X42	M12	6	8.5	42	21,5
W849.0053	W849.SBM16X23	M16	8	12	23	22
W849.0054	W849.SBM16X28	M16	8	12	28	28
W849.0055	W849.SBM16X38	M16	8	12	38	41
W849.0056	W849.SBM16X53	M16	8	12	53	48
W849.0057	W849.SBM20X34	M20	10	15	34	54
W849.0058	W849.SBM20X44	M20	10	15	44	74
W849.0059	W849.SBM20X64	M20	10	15	64	120

W849

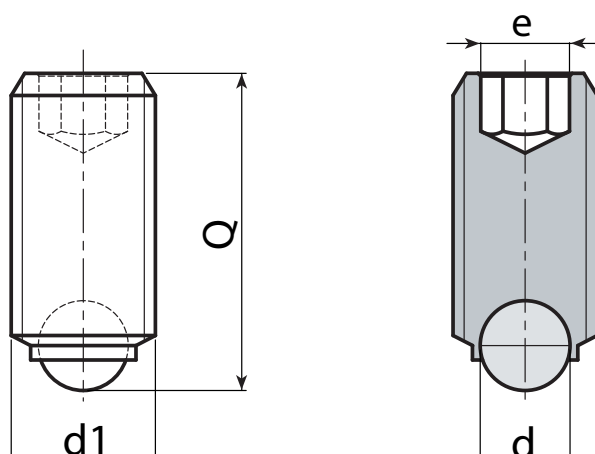


C40

AISI
303



GRANO FILETTATO IN ACCIAIO CON ESAGONO INCASSATO E PUNTA A SFERA IN ACCIAIO



Versione W849CIN - in acciaio inox (Aisi 303)

INOX

21

Codice	art.	d1 _{6H}	e	d	Q	g
W849.0002	W849.INM04X10CIN	M4	2	2.5	10	1
W849.0061	W849.INM04X12CIN	M4	2	2.5	12	1
W849.0003	W849.INM04X16CIN	M4	2	2.5	16	1
W849.0005	W849.INM05X10CIN	M5	2.5	3	10	1
W849.0062	W849.INM05X16CIN	M5	2.5	3	16	1,7
W849.0063	W849.INM05X20CIN	M5	2.5	3	20	2
W849.0064	W849.INM05X25CIN	M5	2.5	3	25	2,9
W849.0007	W849.INM06X11CIN	M6	3	4	11	1,3
W849.0065	W849.INM06X13CIN	M6	3	4	13	1,8
W849.0008	W849.INM06X17CIN	M6	3	4	17	2,4
W849.0009	W849.INM06X21CIN	M6	3	4	21	3
W849.0066	W849.INM06X26CIN	M6	3	4	26	4
W849.0010	W849.INM08X11CIN	M8	4	5.5	11	3
W849.0067	W849.INM08X13CIN	M8	4	5.5	13	3
W849.0011	W849.INM08X17CIN	M8	4	5.5	17	4
W849.0012	W849.INM08X21CIN	M8	4	5.5	21	5
W849.0013	W849.INM08X26CIN	M8	4	5.5	26	7
W849.0068	W849.INM08X31CIN	M8	4	5.5	31	9
W849.0014	W849.INM10X14CIN	M10	5	7	14	5
W849.0069	W849.INM10X18CIN	M10	5	7	18	6
W849.0015	W849.INM10X22CIN	M10	5	7	22	9
W849.0070	W849.INM10X27CIN	M10	5	7	27	11
W849.0017	W849.INM10X37CIN	M10	5	7	37	16
W849.0019	W849.INM12X18CIN	M12	6	8.5	18	10
W849.0020	W849.INM12X22CIN	M12	6	8.5	22	11
W849.0021	W849.INM12X32CIN	M12	6	8.5	32	18
W849.0022	W849.INM12X42CIN	M12	6	8.5	42	21,5